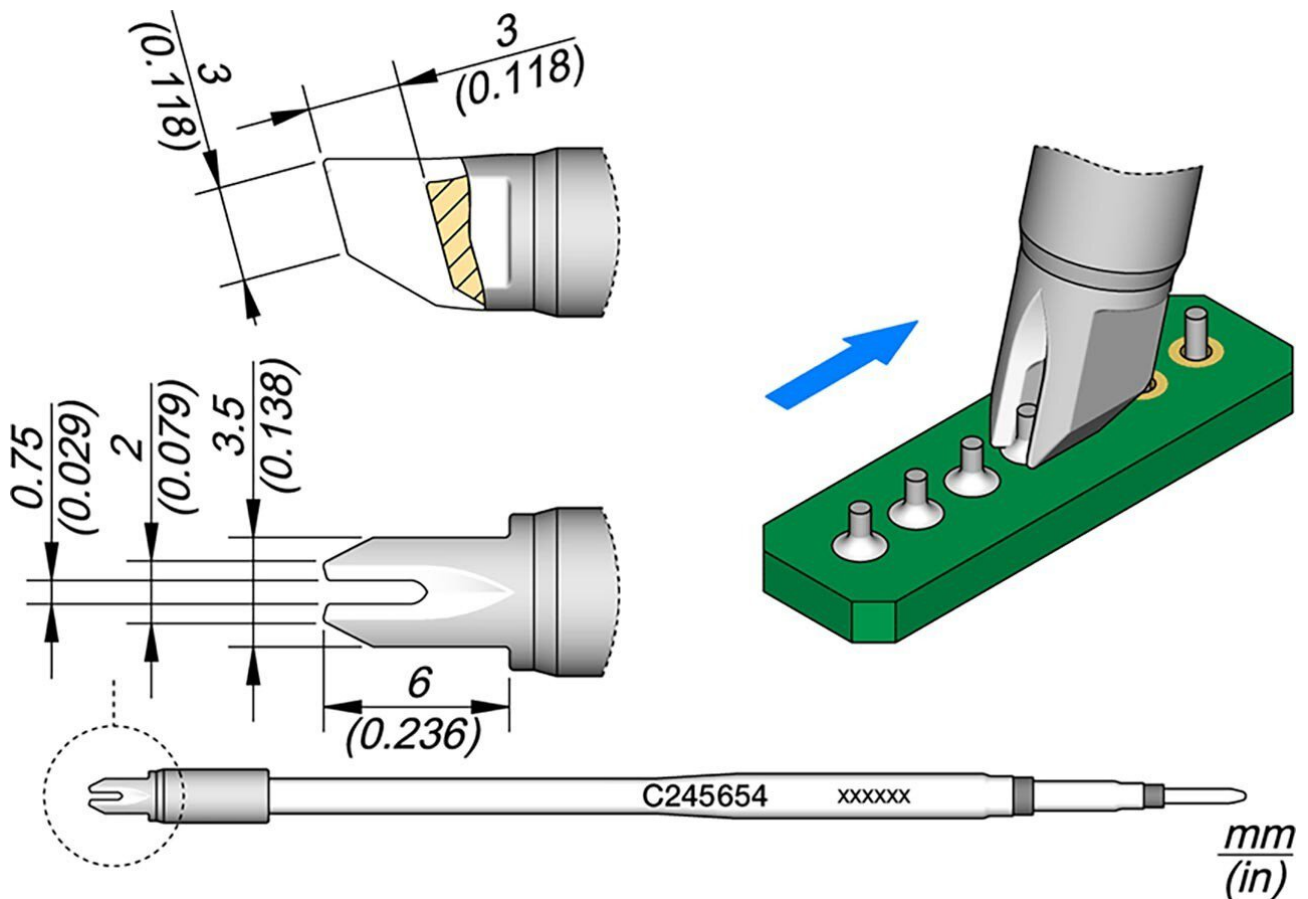


Soldering tip Drag, 0,75 L, C245654



Special cartridge for through hole drag soldering.

This cartridge is 20mm longer than the C245754.

C245 cartridge range is the widest one of JBC with many shapes, sizes and special models.

They are appropriate for Through-Hole drag soldering components or for applications with high power requirements such as ground plane soldering.

They work with T245 Handpieces.

JBC Long Life Tips offer instant heat up, excellent heat transfer and great durability

Item no.	WL28340
Model	2245-654 / C245-654
Manufacturer	JBC
Manufacturer article no.	C245654
GPSR manufacturer data	JBC Soldering SL Ramón y Cajal 3 ES-08750 Molins De Rei www.jbctools.com
Length with packaging	110 mm
Width with packaging	12 mm
Height with packaging	12 mm
Sales unit	1 piece
Content unit	1 piece
Incl. battery	no
Product series	C245
Tip series	C245
Tip shape	special form
Tip alignment	straight
Matching handpiece	T245
ESD compliant	no