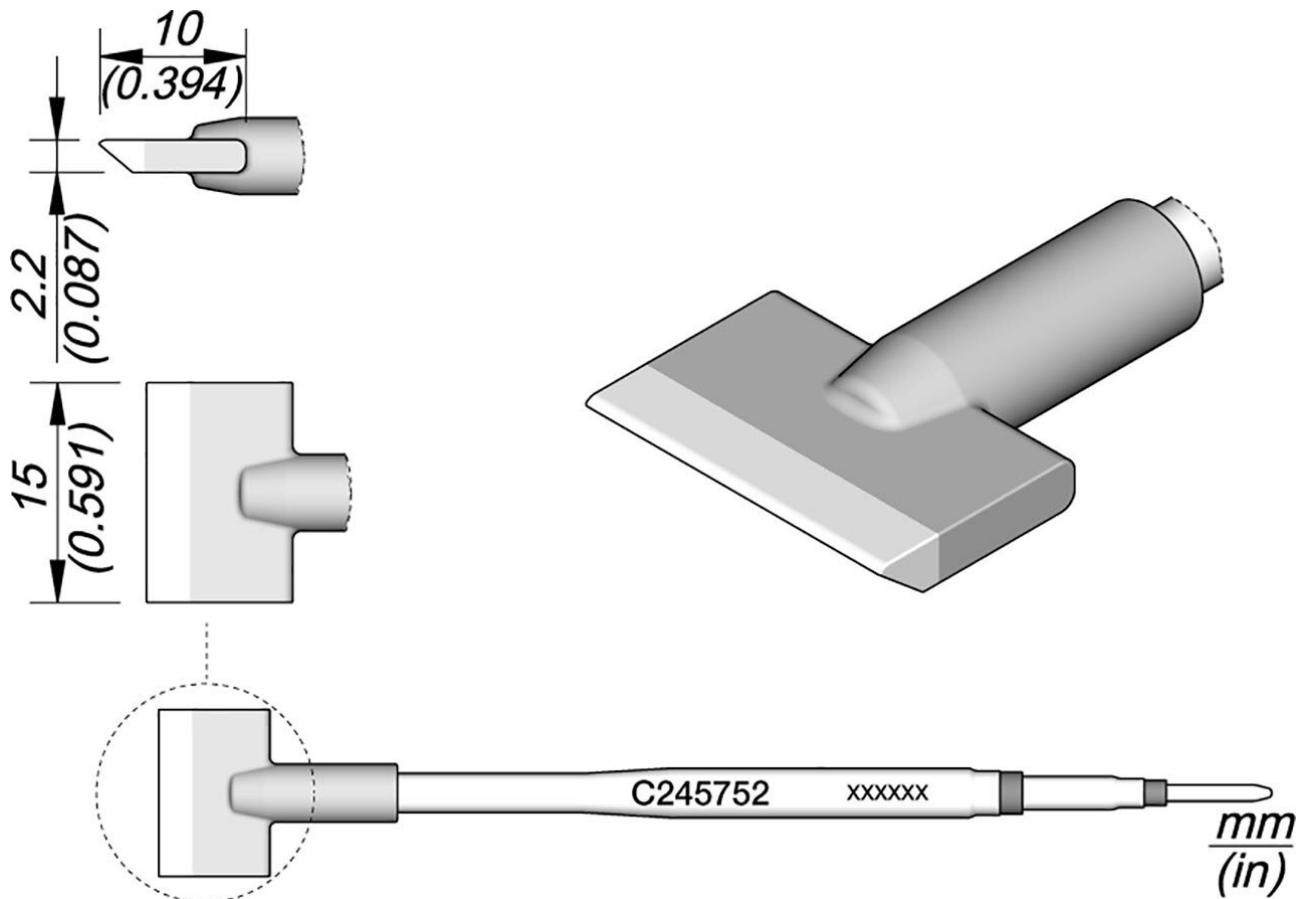


## Blade-shaped soldering tip, B: 15 mm, C245752



Soldering tips series C245 for soldering iron T245 (formerly AD-2245). They are suitable for general soldering purposes. Sleep and sleep mode in the clipboard.

Item no.	WL27478
Model	C245-752
Manufacturer	JBC
Manufacturer article no.	C245752
GPSR manufacturer data	JBC Soldering SL Ramón y Cajal 3 ES-08750 Molins De Rei www.jbctools.com
Length with packaging	110 mm
Width with packaging	12 mm

Products for the electronic industry



Height with packaging	12 mm
Sales unit	1 piece
Content unit	1 piece
Incl. battery	no
Product series	C245
Tip series	C245
Incl. integrated heating	yes
Tip dimensions	15 x 10 x 2,4 mm
Tip length	10 mm
Tip width	15 mm
Tip shape	blade-shaped
Tip alignment	bent
Matching handpiece	T245
ESD compliant	no