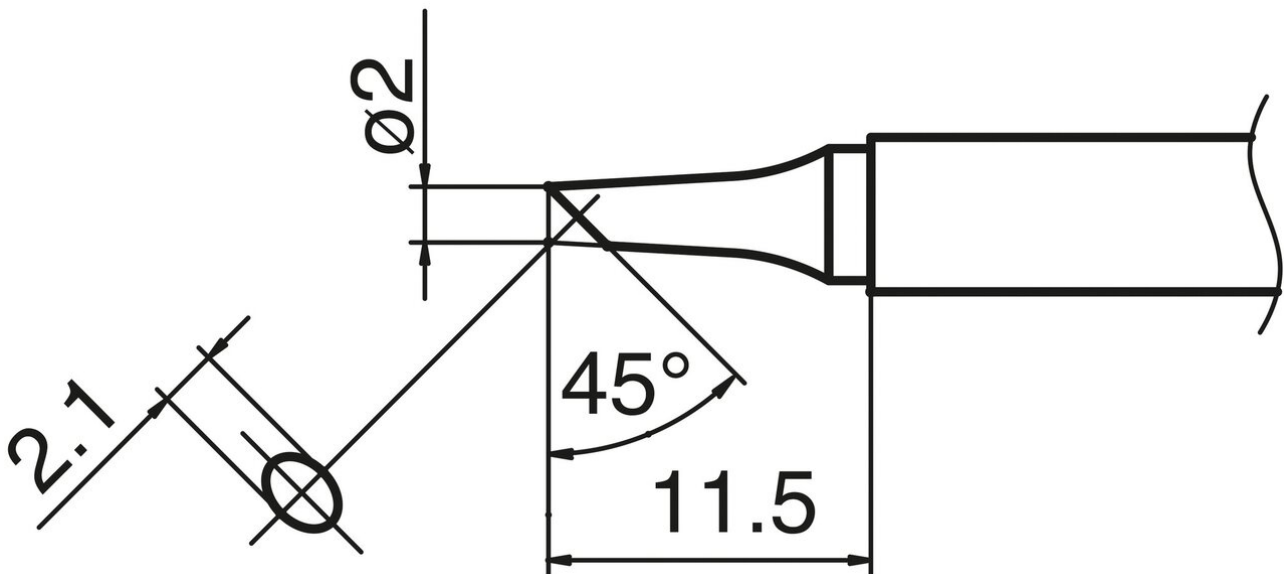


COMPOSIT soldering tip format 2BC



- for HAKKO N2 soldering iron FM 2026 (nozzle A - B 2706)

item number	WL27289
model	T17-BC2
manufacturer	HAKKO
manufacturer item number	T17-BC2
GPSR manufacturer information	TBK - Technisches Büro Kullik GmbH Industriestrasse 27 DE-56276 Großmaiseid www.kullik.com/
length	220 mm
width	45 mm
height	7 mm
order unit	1 piece
content unit	1 piece
product series	T17
Tip series	T17
tip dimensions	2,1 x 2 mm
tip length	11.5 mm

Products for the electronic industry



tip shape	blade-shaped
tip alignment	sloped
suitable handpiece	FM-2026
suitable handle	FM-2026
ESD safe	no

