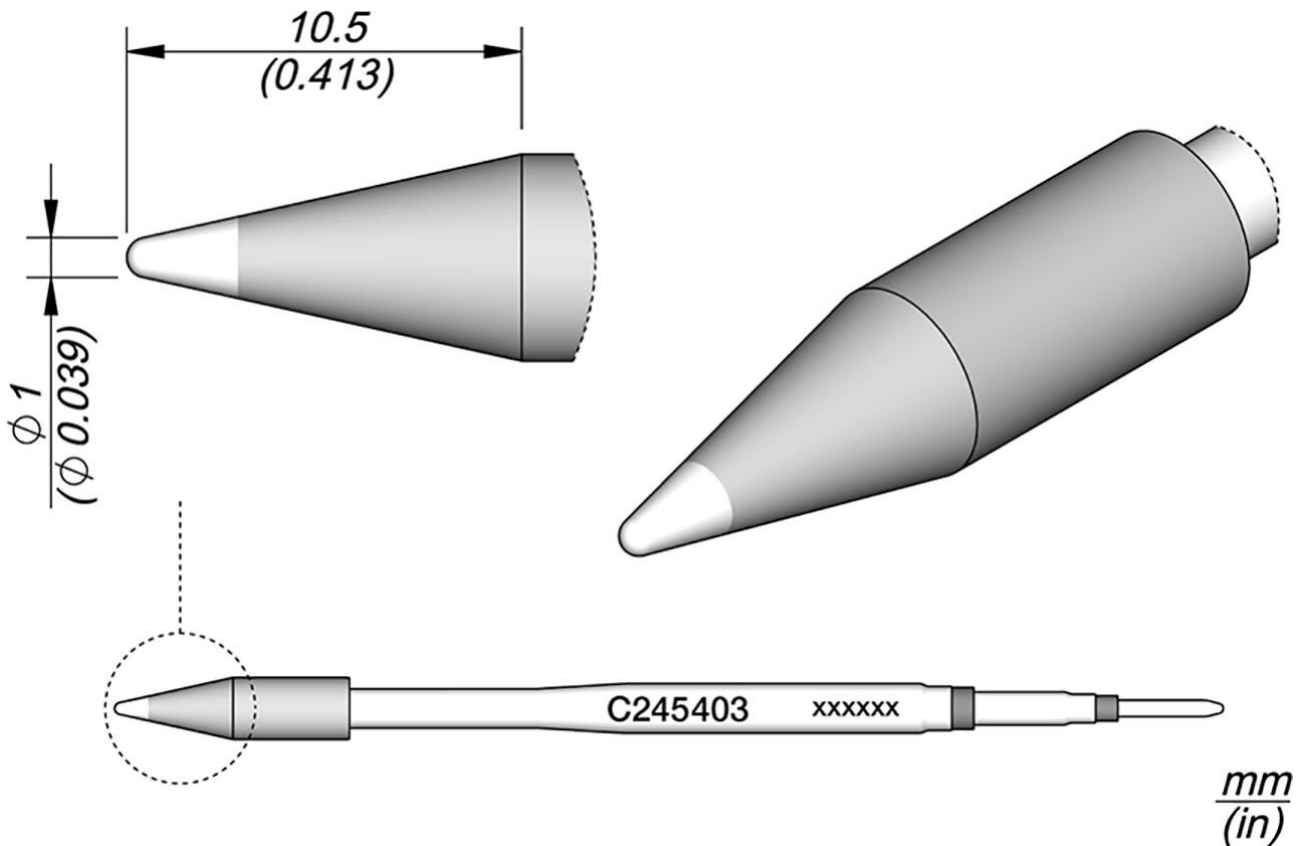


Soldering tip conical, D: 1 mm HT, C245403



Soldering tips series C245 for soldering iron T245 (formerly AD-2245). They are suitable for general soldering purposes. Sleep and sleep mode in the clipboard.
High thermal tip, 40% more efficient heat transfer to the tip

Item no.	WL27287
Model	C245-403
Manufacturer	JBC
Manufacturer article no.	C245403
GPSR manufacturer data	JBC Soldering SL Ramón y Cajal 3 ES-08750 Molins De Rei www.jbctools.com
Length with packaging	110 mm
Width with packaging	12 mm

Height with packaging	12 mm
Sales unit	1 piece
Content unit	1 piece
Incl. battery	no
Product series	C245
Tip series	C245
Incl. integrated heating	yes
Tip length	10.5 mm
Total length of the soldering tip	100 mm
Soldering tip diameter	1 mm
Tip shape	conical
Tip alignment	straight
Matching handpiece	T245
Matching handpiece	T245
ESD compliant	no