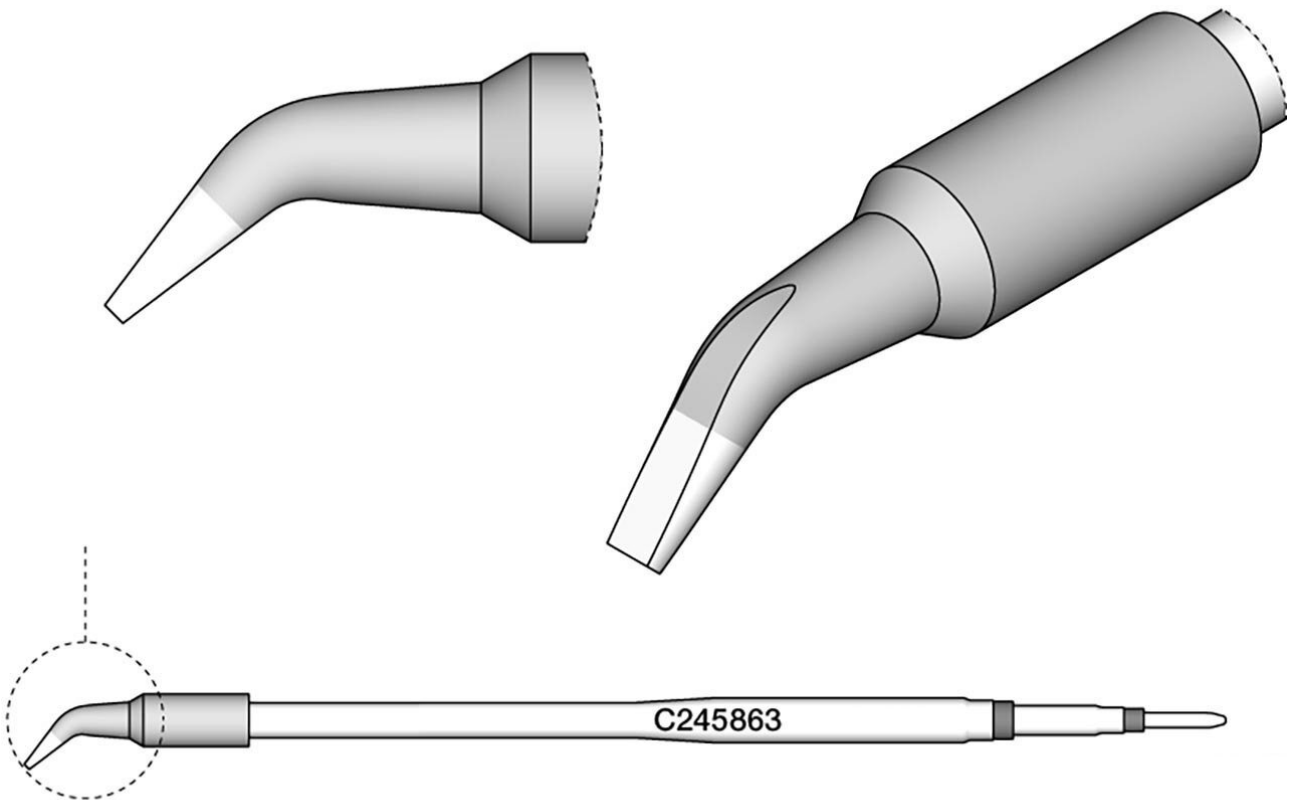


## Angled soldering tip, 1.8 x 0.8 mm - long version, C245863



Soldering tips series C245 for soldering iron T245 (formerly AD-2245). They are suitable for general soldering purposes. Sleep and sleep mode in the clipboard.

Item no.	WL26905
Model	C245-863
Manufacturer	JBC
Manufacturer article no.	C245863
GPSR manufacturer data	JBC Soldering SL Ramón y Cajal 3 ES-08750 Molins De Rei www.jbctools.com
Length with packaging	110 mm
Width with packaging	12 mm

Products for the electronic industry



Height with packaging	12 mm
Sales unit	1 piece
Content unit	1 piece
Product series	C245
Tip series	C245
Incl. integrated heating	yes
Tip dimensions	1,8 x 0,8 mm
Tip length	12 mm
Tip width	1.8 mm
Total length of the soldering tip	120 mm
Tip shape	chisel-shaped
Tip alignment	bent
Suitable soldering iron	T245
Matching handpiece	T245
Matching handpiece	T245
ESD compliant	no