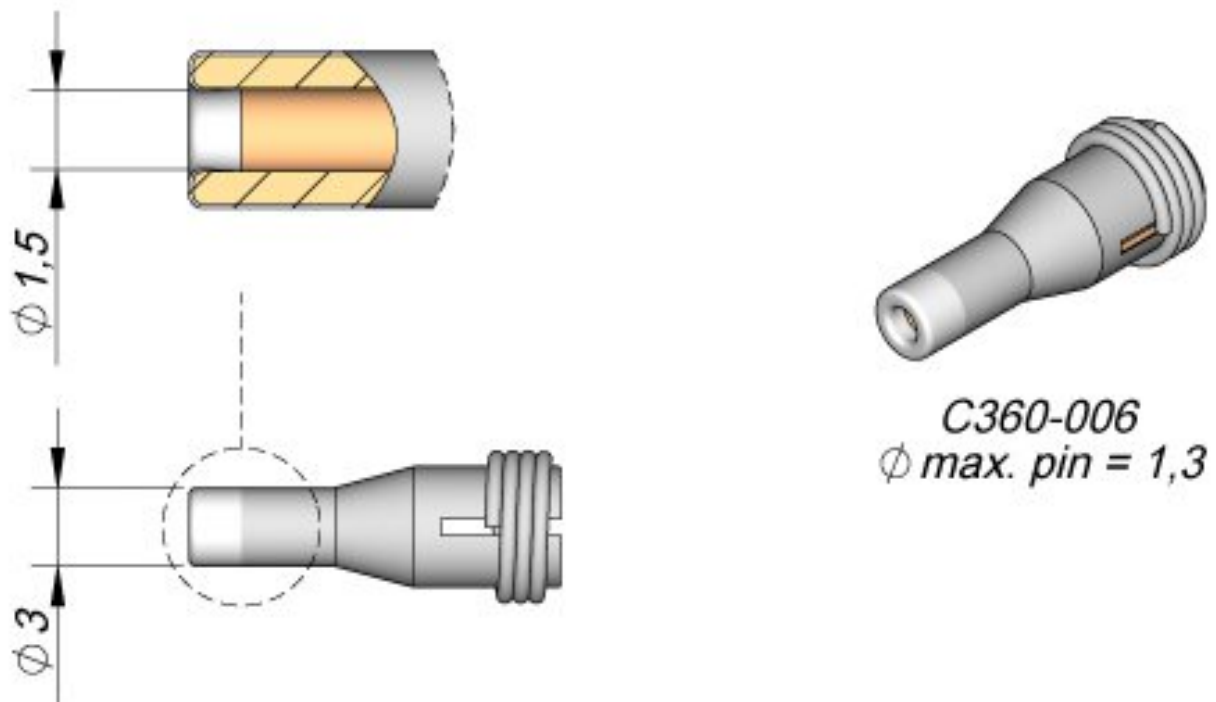


Desoldering nozzle D: 1.5 mm, throughhole, C360006



- instant heating and excellent heat transfer
- Sleep and sleep mode
- to plug on

Item no.	WL26761
Model	C360-006
Manufacturer	JBC
Manufacturer article no.	C360006
GPSR manufacturer data	JBC Soldering SL Ramón y Cajal 3 ES-08750 Molins De Rei www.jbctools.com
Length with packaging	60 mm
Width with packaging	35 mm
Height with packaging	35 mm
Sales unit	1 piece

Products for the electronic industry



Content unit	1 piece
Incl. battery	no
Product series	C360
Tip series	C360
Inner diameter	1.5 mm
Outer diameter	3 mm
Tip applications	for pin, D max: 1.3 mm
Tip shape	special form
Tip alignment	straight
Matching handpiece	DS360
ESD compliant	no