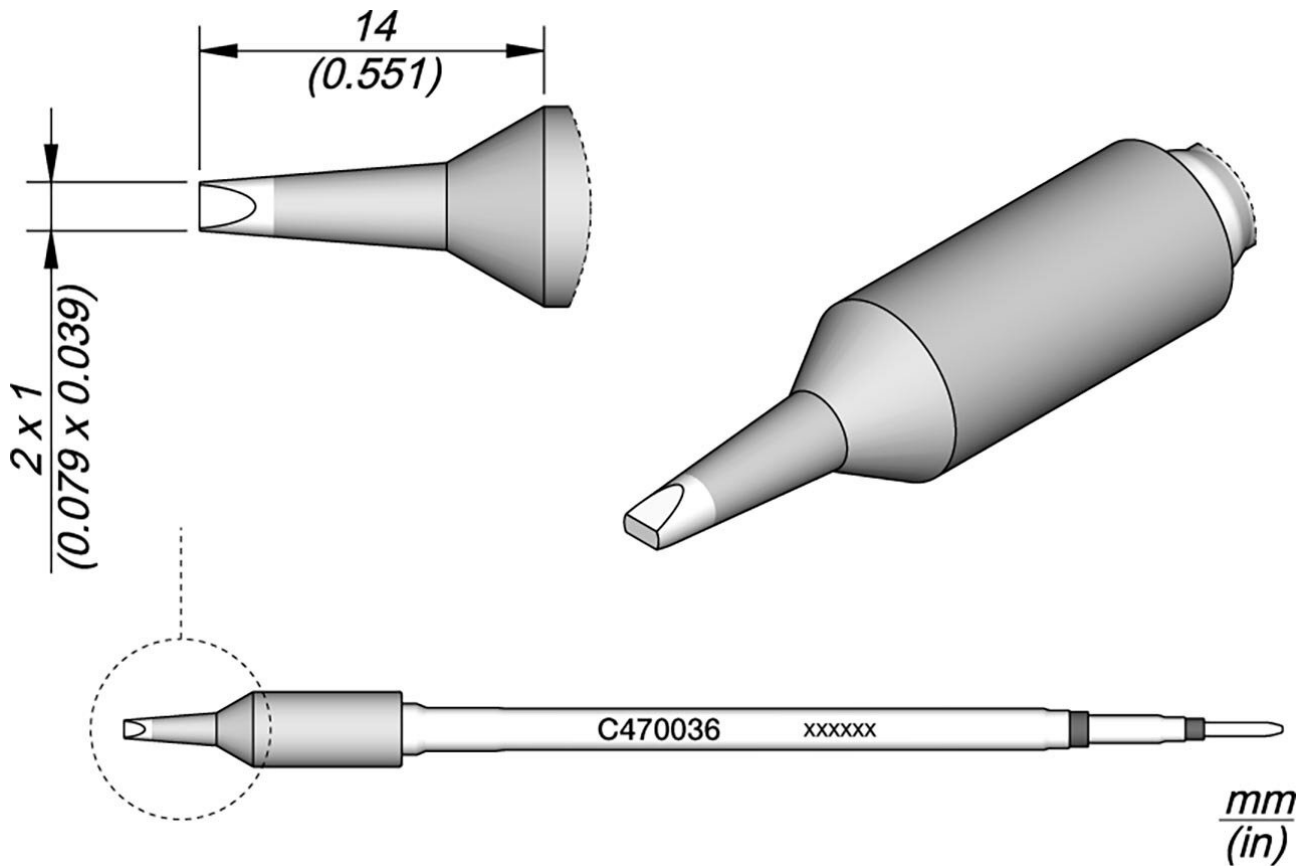


Chisel shaped soldering tip, 2 x 1 mm, C470036



for use up to 500 °C with supply unit HDE (formerly HD-4700)

Item no.	WL26725
Model	C470-036
Manufacturer	JBC
Manufacturer article no.	C470036
GPSR manufacturer data	JBC Soldering SL Ramón y Cajal 3 ES-08750 Molins De Rei www.jbctools.com
Length with packaging	183 mm
Width with packaging	60 mm
Height with packaging	34 mm

Products for the electronic industry



Sales unit	1 piece
Content unit	1 piece
Incl. battery	no
Product series	C470
Tip series	C470
Incl. integrated heating	yes
Tip dimensions	2 x 1 mm
Tip length	14 mm
Total length of the soldering tip	120 mm
Tip shape	chisel-shaped
Tip alignment	straight
Matching handpiece	T470
Matching handpiece	T470
ESD compliant	no