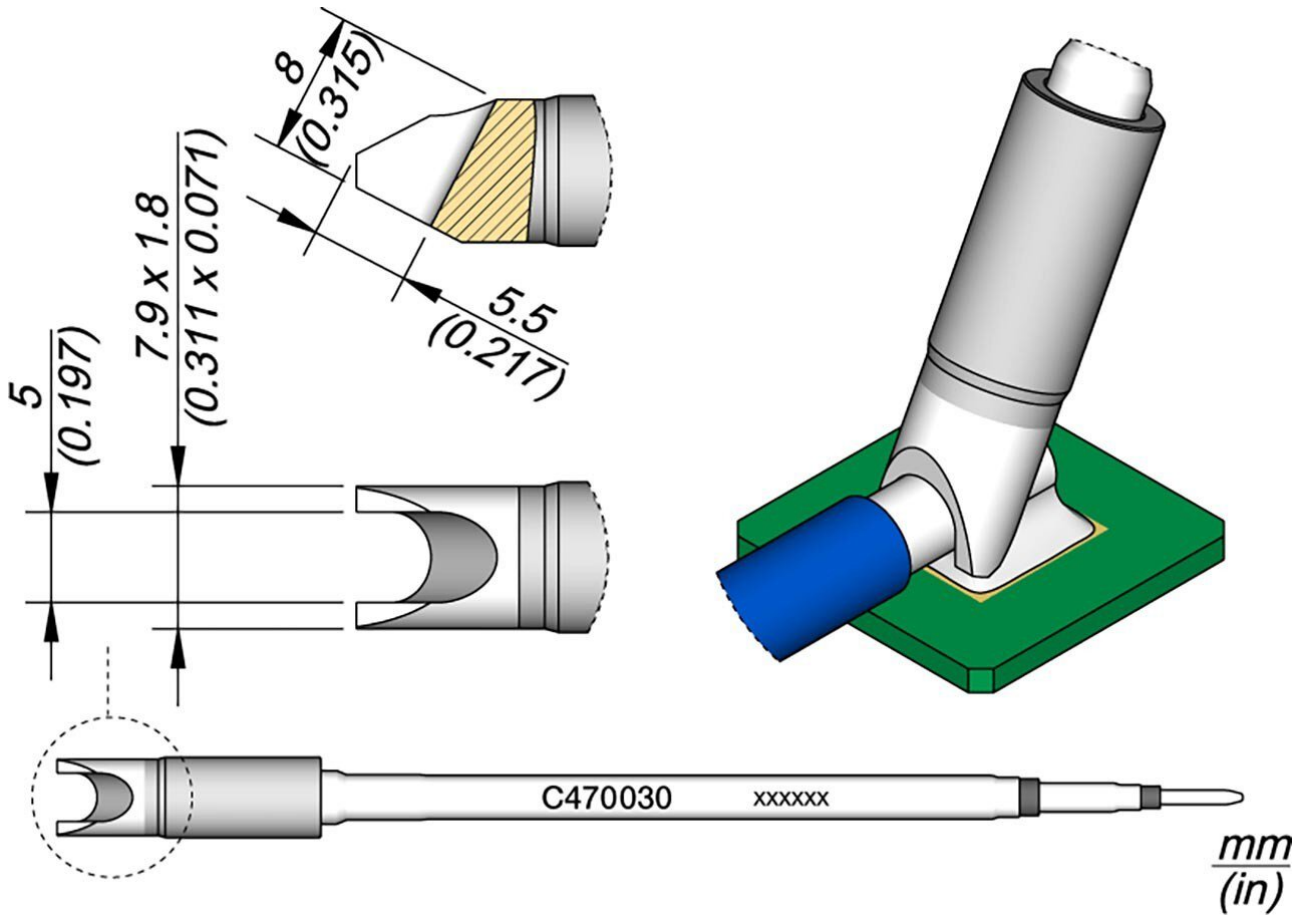


Soldering tip cylindrical, D 5 mm, C470030



for use up to 500 °C with supply unit HDE (formerly HD-4700)

- Special soldering tip for outer conductor Housing coupler
- with notch 5 mm

Item no.	WL26694
Model	C470-030
Manufacturer	JBC
Manufacturer article no.	C470030
GPSR manufacturer data	JBC Soldering SL Ramón y Cajal 3 ES-08750 Molins De Rei www.jbctools.com
Length with packaging	183 mm

Products for the electronic industry



Width with packaging	60 mm
Height with packaging	34 mm
Sales unit	1 piece
Content unit	1 piece
Incl. battery	no
Product series	C470
Tip series	C470
Incl. integrated heating	yes
Tip dimensions	7,9 x 1,8 mm
Tip shape	barrel
Tip alignment	straight
Matching handpiece	T470
ESD compliant	no