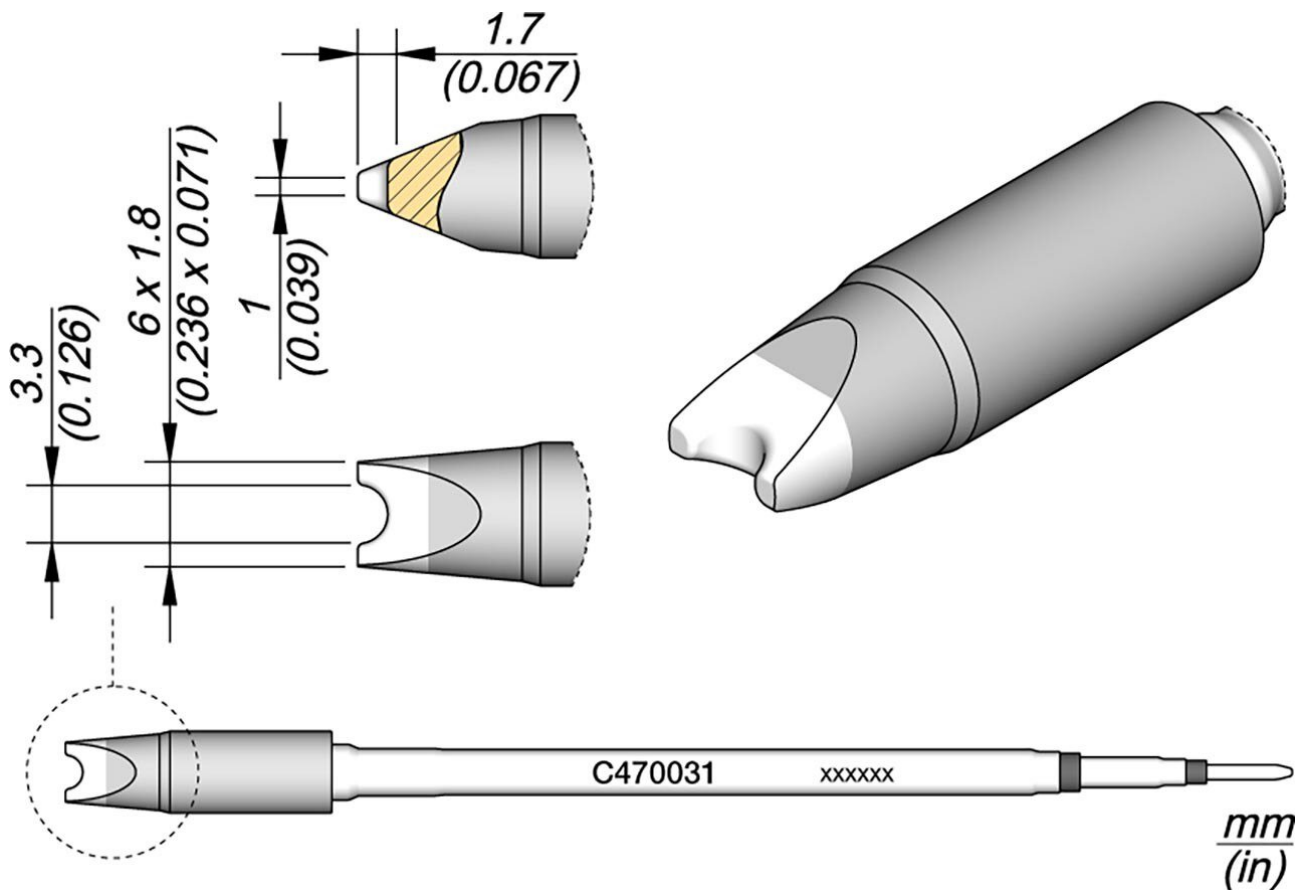


Soldering tip for cables and connectors, D 3.2 mm, C470031



for use up to 500 °C with supply unit HDE (formerly HD-4700)

- with notch 3,2 mm
- for soldering cables and connectors

| | |
|--------------------------|---|
| Item no. | WL26522 |
| Model | C470-031 |
| Manufacturer | JBC |
| Manufacturer article no. | C470031 |
| GPSR manufacturer data | JBC Soldering SL Ramón y Cajal 3 ES-08750 Molins De Rei www.jbctools.com |
| Length with packaging | 183 mm |

Products for the electronic industry



| | |
|--------------------------|--------------|
| Width with packaging | 60 mm |
| Height with packaging | 34 mm |
| Sales unit | 1 piece |
| Content unit | 1 piece |
| Incl. battery | no |
| Product series | C470 |
| Tip series | C470 |
| Incl. integrated heating | yes |
| Tip dimensions | 6 x 1,8 mm |
| Tip length | 10.4 mm |
| Tip shape | special form |
| Tip alignment | straight |
| Suitable soldering iron | T470 |
| Matching handpiece | T470 |
| Matching handpiece | T470 |
| ESD compliant | no |