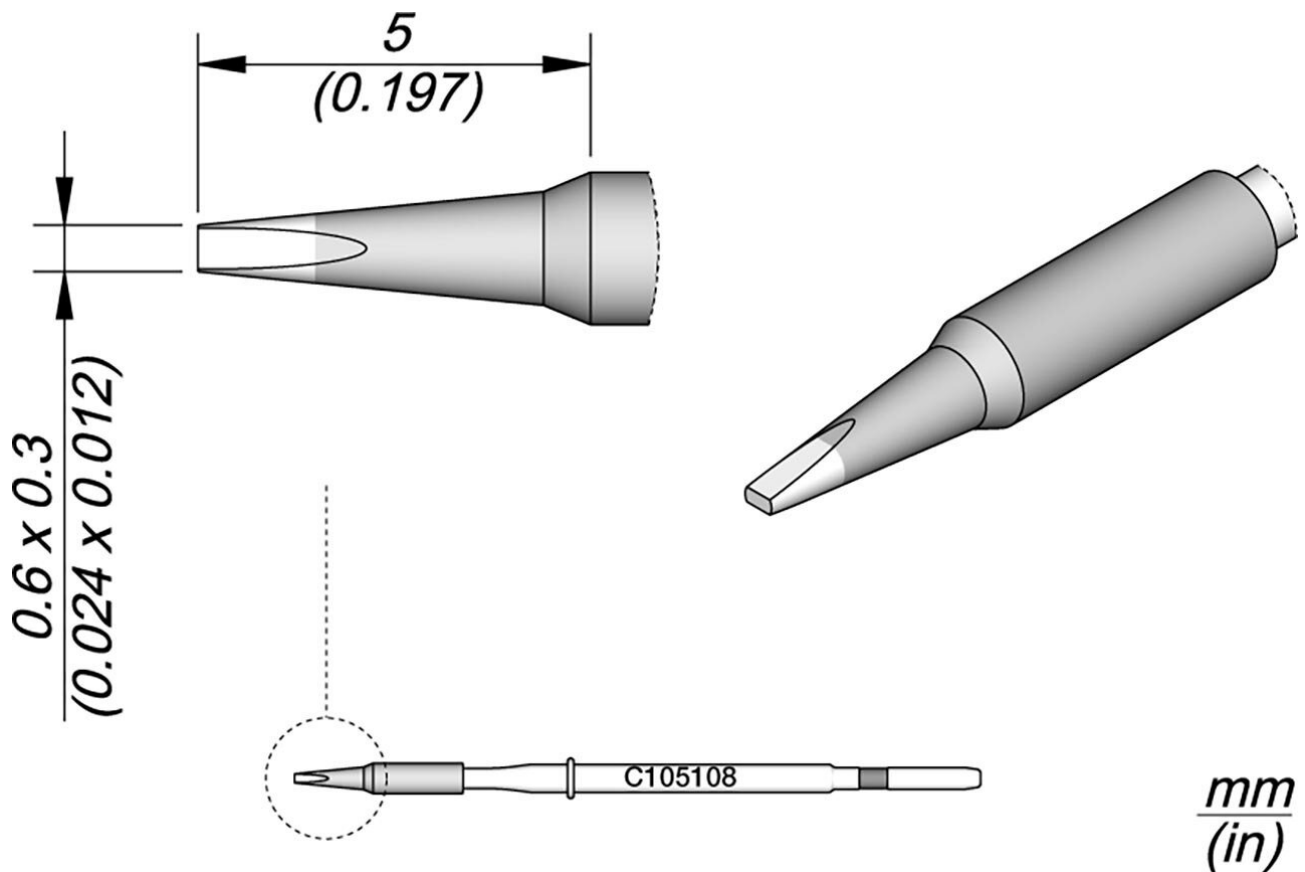


Soldering tip chisel shaped, straight, 0.6 x 0.3 mm, C105108



The JBC soldering tip C105108 in chisel shape with the dimensions 0.6 x 0.3 mm is specially designed for high-precision soldering work on very small SMD components. Thanks to its fine tip, it is ideal for repairs under a microscope and is compatible with the JBC NT105 and NP105 nano soldering tools.

The C105 series from JBC is characterized by its compact design and is ideal for applications that require maximum precision. The C105108 soldering tip offers excellent heat transfer and a long service life, even in lead-free soldering processes.

It is important to note that JBC's C105 series is gradually being replaced by the C115 series. To use the new C115 soldering tips with existing NANE/NASE stations, a corresponding upgrade kit is required, which includes a cartridge extractor and a compatible handpiece.

Item no.	WL25669
Model	C105-108
Manufacturer	JBC

Manufacturer article no.	C105108
GPSR manufacturer data	JBC Soldering SL Ramón y Cajal 3 ES-08750 Molins De Rei www.jbctools.com
Length with packaging	106 mm
Width with packaging	45 mm
Height with packaging	12 mm
Sales unit	1 piece
Content unit	1 piece
Incl. battery	no
Product series	C105
Tip series	C105
Incl. integrated heating	yes
Tip dimensions	0,6 x 0,3 mm
Tip length	5 mm
Tip shape	chisel-shaped
Tip alignment	straight
Matching handpiece	NP105, NT105
ESD compliant	no