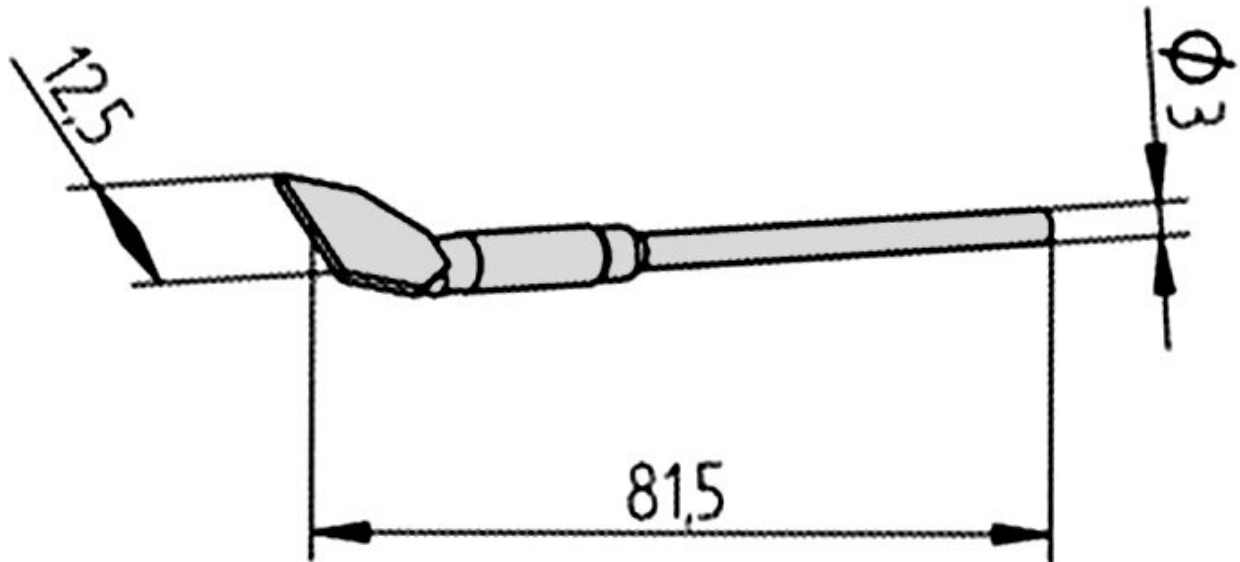


## Desoldering tip set, straight, 12.5 mm, 0452FDLF125



- Edge length: 12.5 mm
- Desoldering tip set for SOIC 20 for i-CON, i-CON2 and DIGITAL 2000 A each with desoldering pincette 40 or the CHIP tool, SMT UNIT 60 A/AS, MICRO-CON 60 iA, Rework 80 and SMD 8000 each with desoldering pincette TC40

item number	WL25651
model	452FD-LF125
manufacturer	ERSA
manufacturer item number	0452FDLF125/SB
GPSR manufacturer information	ERSA GmbH Leonhard-Karl-Strasse 24 DE-97877 Wertheim www.ersa.de
length with packaging	140 mm
width with packaging	80 mm
height with packaging	10 mm
order unit	1 pair
content unit	1 pair
total length	82 mm

Products for the electronic industry



product series	452
RoHS conform	yes
design soldering tip	continuous soldering tip
Tip series	452
outer diameter	12.5 mm
outer diameter shaft	3 mm
tip shape	special form
tip alignment	straight
suitable handpiece	CHIP TOOL, SMD desoldering tweezers 40
suitable handle	0430EDJ, Chip-Tool, TC 40
ESD safe	no