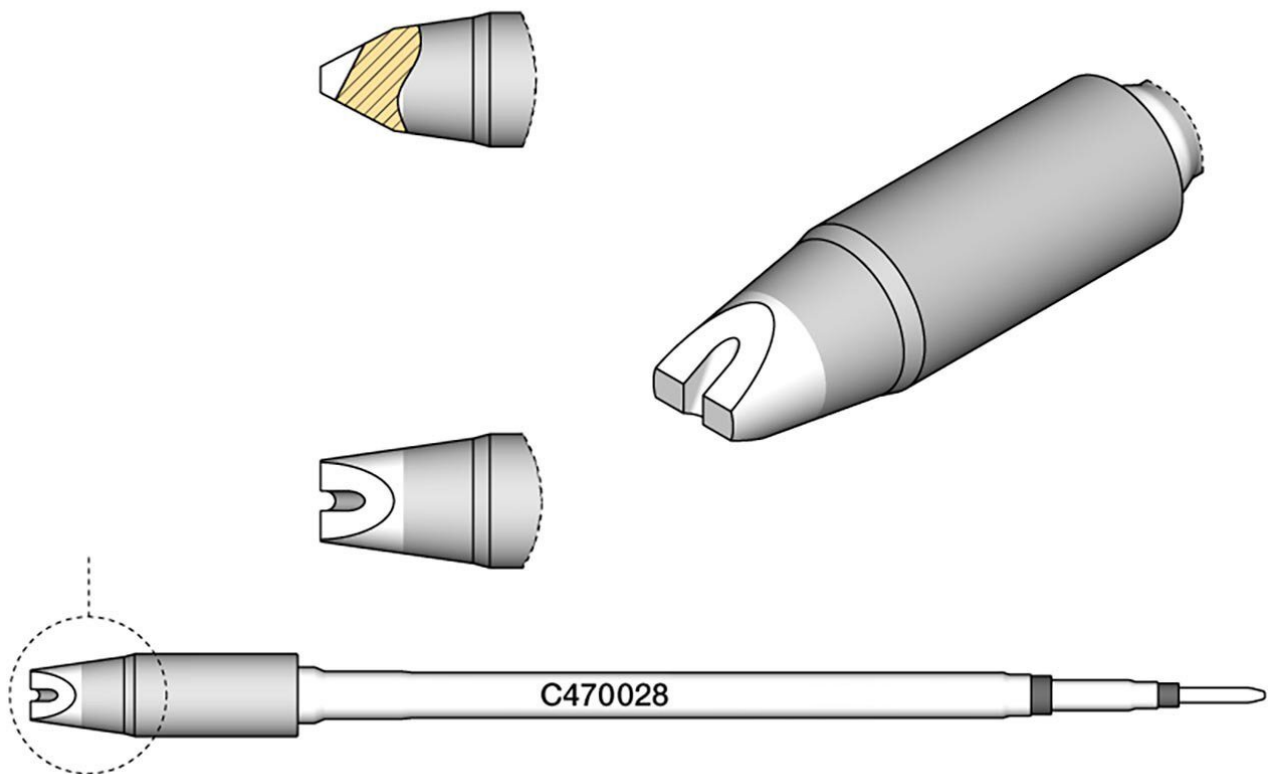


## Soldering tip cylindrical, D 1.2 mm, C470028



for use up to 500 °C with supply unit HDE (formerly HD-4700)  
• with notch: 1,2 mm

Item no.	WL25429
Model	C470-028
Manufacturer	JBC
Manufacturer article no.	C470028
GPSR manufacturer data	JBC Soldering SL Ramón y Cajal 3 ES-08750 Molins De Rei www.jbctools.com
Length with packaging	183 mm
Width with packaging	60 mm

Products for the electronic industry



Height with packaging	34 mm
Sales unit	1 piece
Content unit	1 piece
Product series	C470
Tip series	C470
Incl. integrated heating	yes
Tip shape	barrel
Tip alignment	straight
Suitable soldering iron	T470
Matching handpiece	T470
Matching handpiece	T470
ESD compliant	no