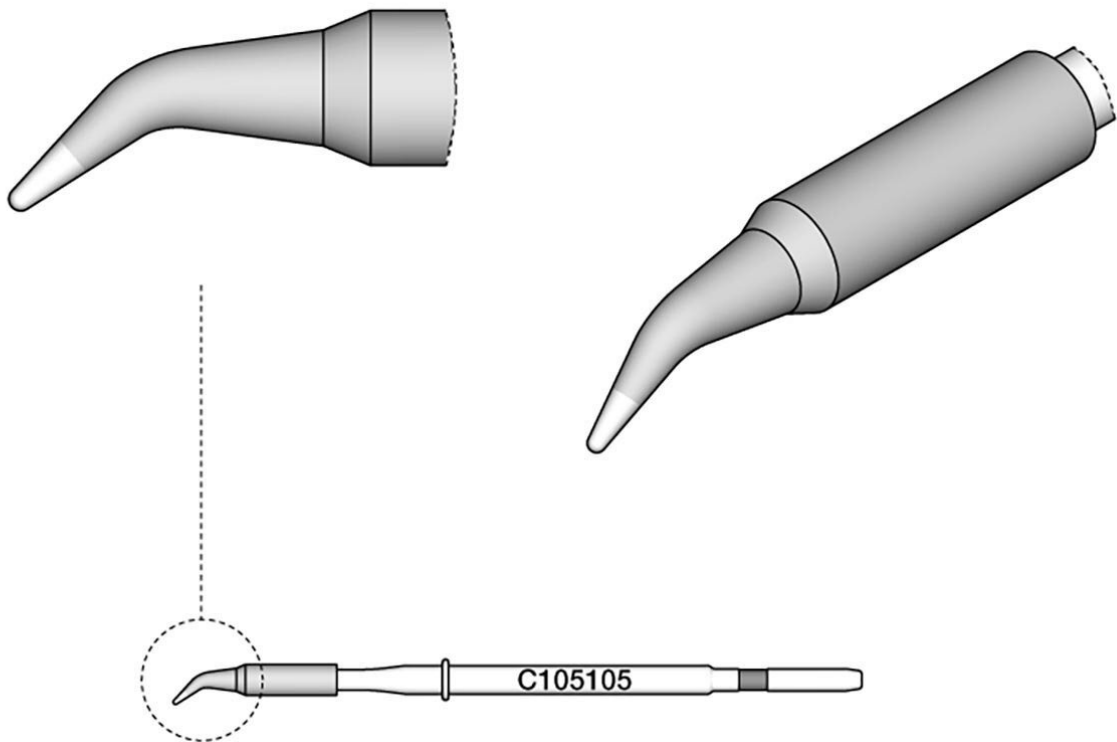


Soldering tip conical bent, D: 0.3 mm, C105105



The JBC soldering tip C105105 is a conically curved cartridge with a diameter of 0.3 mm, which has been specially developed for high-precision soldering work on very small components. Thanks to its fine tip, it is ideal for applications under a microscope, such as those required in SMD technology or for repairing microelectronics.

This soldering tip is compatible with the JBC Nano handpieces NT105 and NP105 and belongs to the C105 series, which is known for its compact design and high precision. The integrated heating element technology ensures excellent heat transfer and enables rapid heating, which increases soldering efficiency. In addition, the C105105 is characterized by a long service life, even when using lead-free solder alloys.

Item no.	WL25077
Model	C105-105
Manufacturer	JBC

Manufacturer article no.	C105105
GPSR manufacturer data	JBC Soldering SL Ramón y Cajal 3 ES-08750 Molins De Rei www.jbctools.com
Length with packaging	106 mm
Width with packaging	45 mm
Height with packaging	12 mm
Sales unit	1 piece
Content unit	1 piece
Product series	C105
Tip series	C105
Incl. integrated heating	yes
Tip length	4.5 mm
Soldering tip diameter	0.3 mm
Tip shape	conical
Tip alignment	bent
Matching desoldering tweezers	NT105, NP105
Matching handpiece	NP105, NT105
Matching handpiece	NT105, NP105
ESD compliant	no