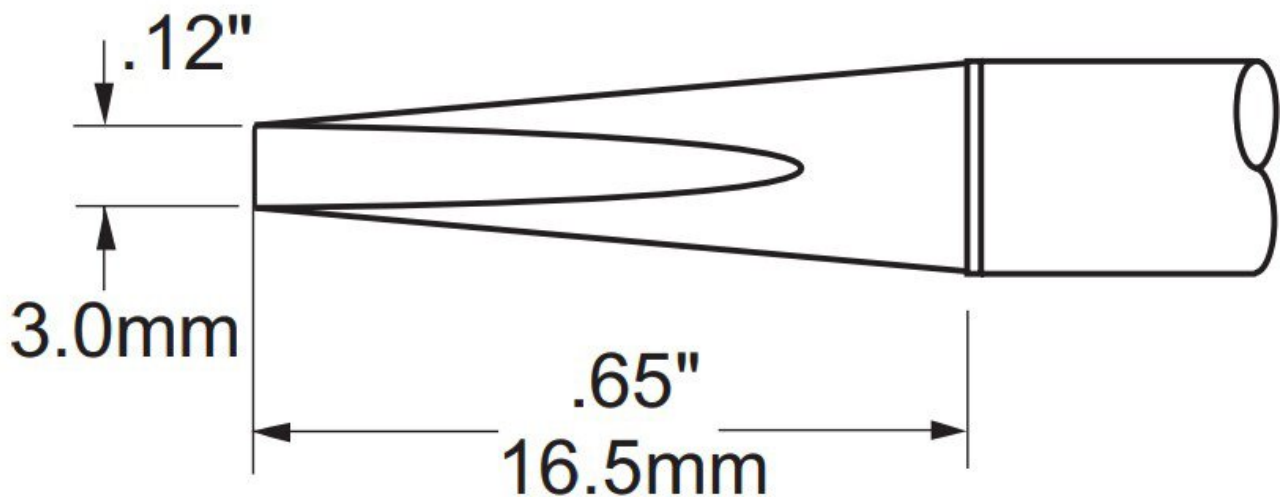


Soldering tip PHT series, chisel-shaped long 30°, 3 x 16.5 mm



The PHT-751367 soldering tip from OKI's PHT series is a chisel-shaped, angled tip with an angle of 30° and a length of 16.5 mm with a width of 3 mm. It is designed for most standard applications and is particularly suitable for precise work on medium-sized solder joints.

The tip is compatible with the PS-900 and PS-CA1 handpieces and ensures even heat distribution for clean, reproducible soldering. The robust manufacture ensures a long service life and consistent soldering quality, even with repeated use.

The PHT-751367 is ideal for repairs, manufacturing processes or prototyping where a precise and reliable soldering tip is required.

- for most standard applications

Item no.	WL24796
Model	PHT-751367
Manufacturer	OKI
Manufacturer article no.	PHT-751367
GPSR manufacturer data	OK International Ltd Eagle Close, Chandlers Ford GB-SO53 4NF Hampshire www.ok-international.com
Sales unit	1 piece
Content unit	1 piece
Incl. battery	no

Products for the electronic industry



Product series	PHT Series
Tip series	PHT
Angle (soldering tip)	30 °
Tip length	16.5 mm
Tip width	3 mm
Tip shape	chisel-shaped
Tip alignment	bent
Matching handpiece	PS-900, PS-CA1
ESD compliant	no