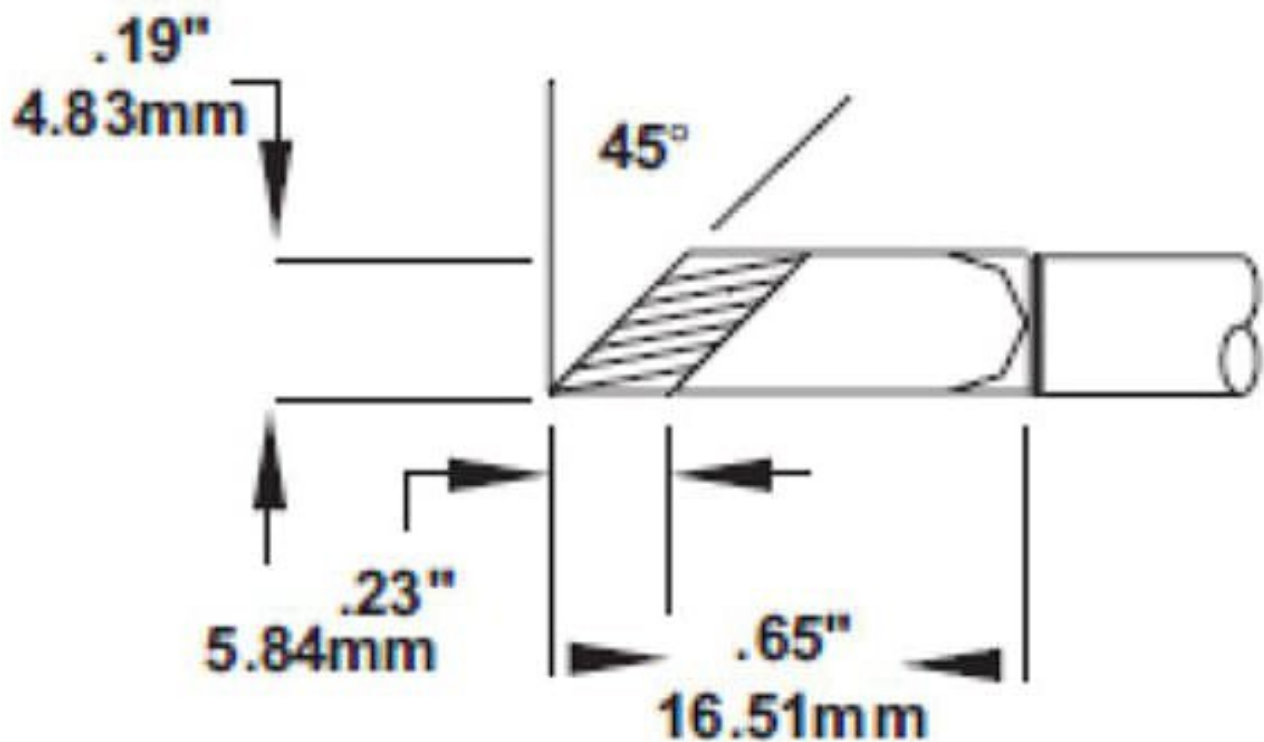


SMD soldering tip for device series MX for component PLCC-20, series 700/412 °C



- A = 9.14 mm
- B = 9.14 mm
- D = 2.91 mm
- with integrated heating

Item no.	WL24688
Model	SMTC-1144
Manufacturer	METCAL
Manufacturer article no.	SMTC-1144
GPSR manufacturer data	OK International Ltd Eagle Close, Chandlers Ford GB-SO53 4NF Hampshire www.metcal.com
Sales unit	1 piece

Products for the electronic industry



Content unit	1 piece
Product series	SMTC Series
Soldering tip temperature (max.)	412 °C
Tip series	SMTC
Tip shape	round
Tip alignment	straight
Matching handpiece	MX-H1-AVA, MX-RM3E
ESD compliant	no

