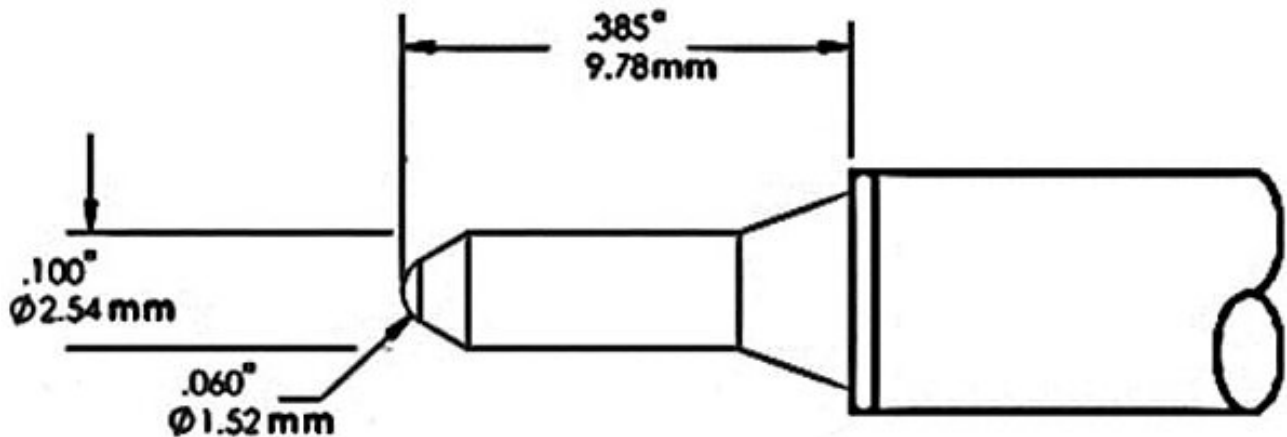


Soldering tip for device series MX series 700/412 °C, with integrated heating



item number	WL24375
model	STTC-132
manufacturer	METCAL
manufacturer item number	STTC-132
GPSR manufacturer information	OK International Ltd Eagle Close, Chandlers Ford GB-SO53 4NF Hampshire www.metcal.com
order unit	1 piece
content unit	1 piece
max. soldering tip temperature	412 °C
with integrated heating	yes
tip shape	conical
tip alignment	straight
suitable handle	MX Serie 700
ESD safe	no