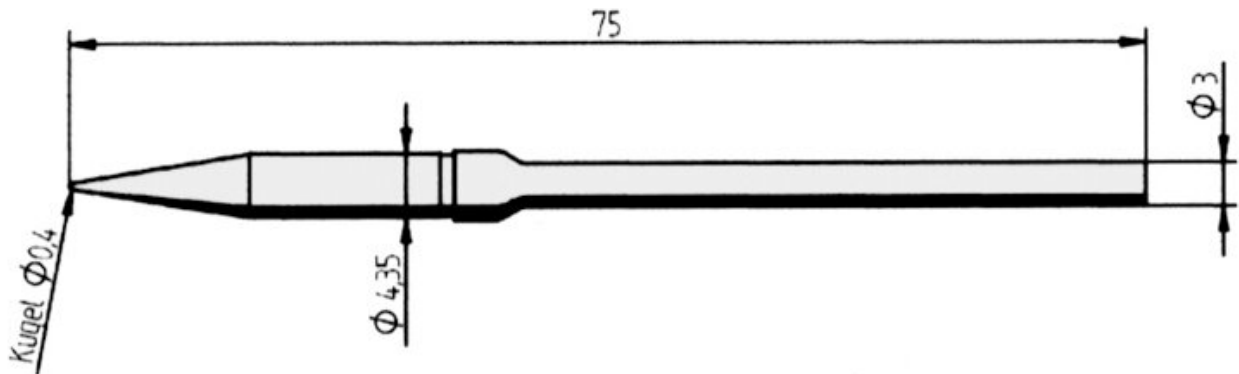


## Soldering tip, straight, pencil tip 0.4 mm, 0212BDLF



- Continuous soldering tip with ERSADUR-LF coating with increased service life
- for soldering stations TWIN 40 A/AS, SMT UNIT 60 A/AS (soldering iron Micro tool), Rework 80, SMD 8000 (soldering iron CTA 20), MICRO-CON 60 iA (soldering iron Micro tool), TWIN 80 A (Micro tool soldering iron), ANALOG 20 (Micro tool soldering iron) and DIGITAL 2000 A (Micro tool soldering iron)

Item no.	<b>WL23745</b>
Model	212BD-LF
Manufacturer	ERSA
Manufacturer article no.	0212BDLF/SB
GPSR manufacturer data	ERSA GmbH Leonhard-Karl-Strasse 24 DE-97877 Wertheim www.ersa.de
Length	75 mm
Length with packaging	100 mm
Width with packaging	60 mm
Height with packaging	5 mm
Sales unit	1 piece
Content unit	1 piece
Total length	75 mm

Products for the electronic industry



Incl. battery	no
Product series	212
RoHS compliant	yes
Tip series	212
Outer diameter (shaft)	3 mm
Soldering tip diameter	0.4 mm
Tip shape	pencil pointed
Tip alignment	straight
Coating of the soldering tip	permanent soldering tip
Matching handpiece	MICRO-TOOL
Matching handpiece	Micro Tool
ESD compliant	no