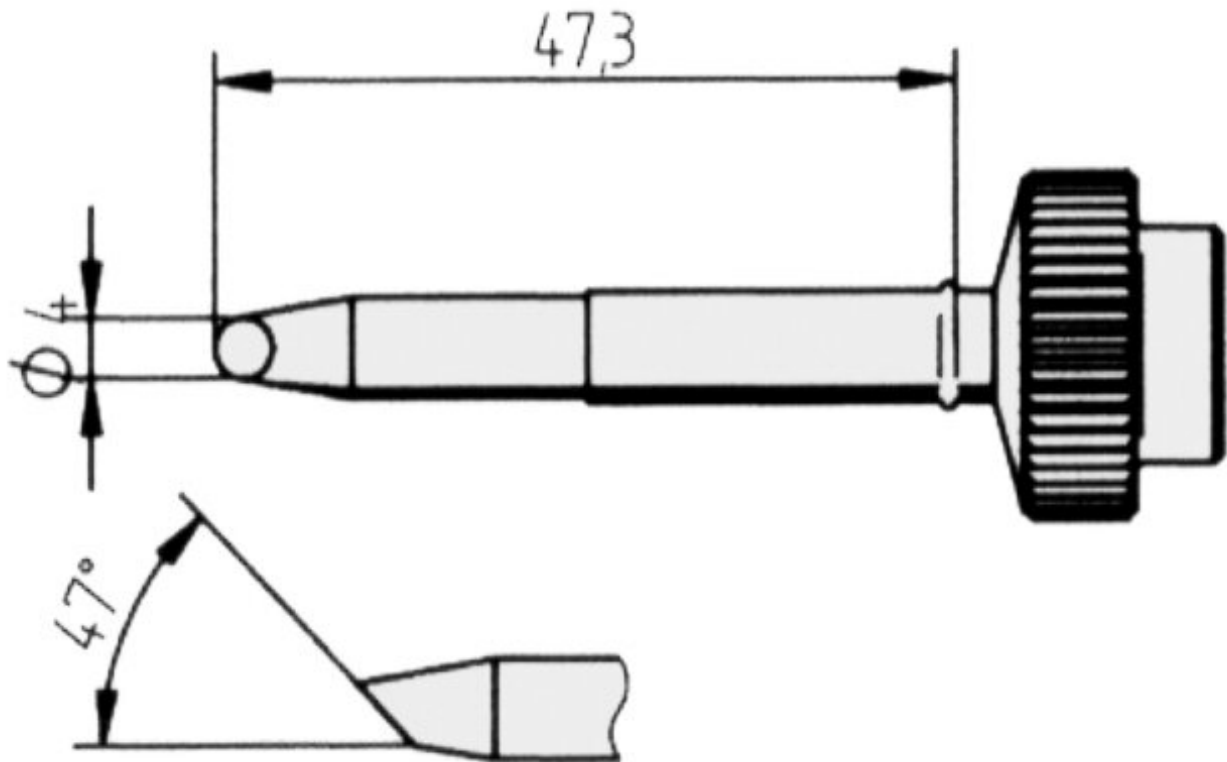


Soldering tip, straight, bevelled, 4.0 mm, 0612WDLF



- Permanent soldering tip with ERSADUR-LF coating with increased lifetime for the Tech tool soldering iron, the soldering stations DIGITAL 2000 A, DIGITAL 60 A and MICRO-CON 60iA

Item no.	WL23743
Model	612WD-LF
Manufacturer	ERSA
Manufacturer article no.	0612WDLF/SB
GPSR manufacturer data	ERSA GmbH Leonhard-Karl-Strasse 24 DE-97877 Wertheim www.ersa.de
Length	64 mm
Length with packaging	140 mm
Width with packaging	80 mm

Products for the electronic industry



Height with packaging	25 mm
Sales unit	1 piece
Content unit	1 piece
Total length	64 mm
Incl. battery	no
Product series	612
RoHS compliant	yes
Tip series	612
Soldering tip diameter	4 mm
Tip shape	conical
Tip alignment	sloped
Coating of the soldering tip	permanent soldering tip
Matching handpiece	TECH-TOOL
ESD compliant	no