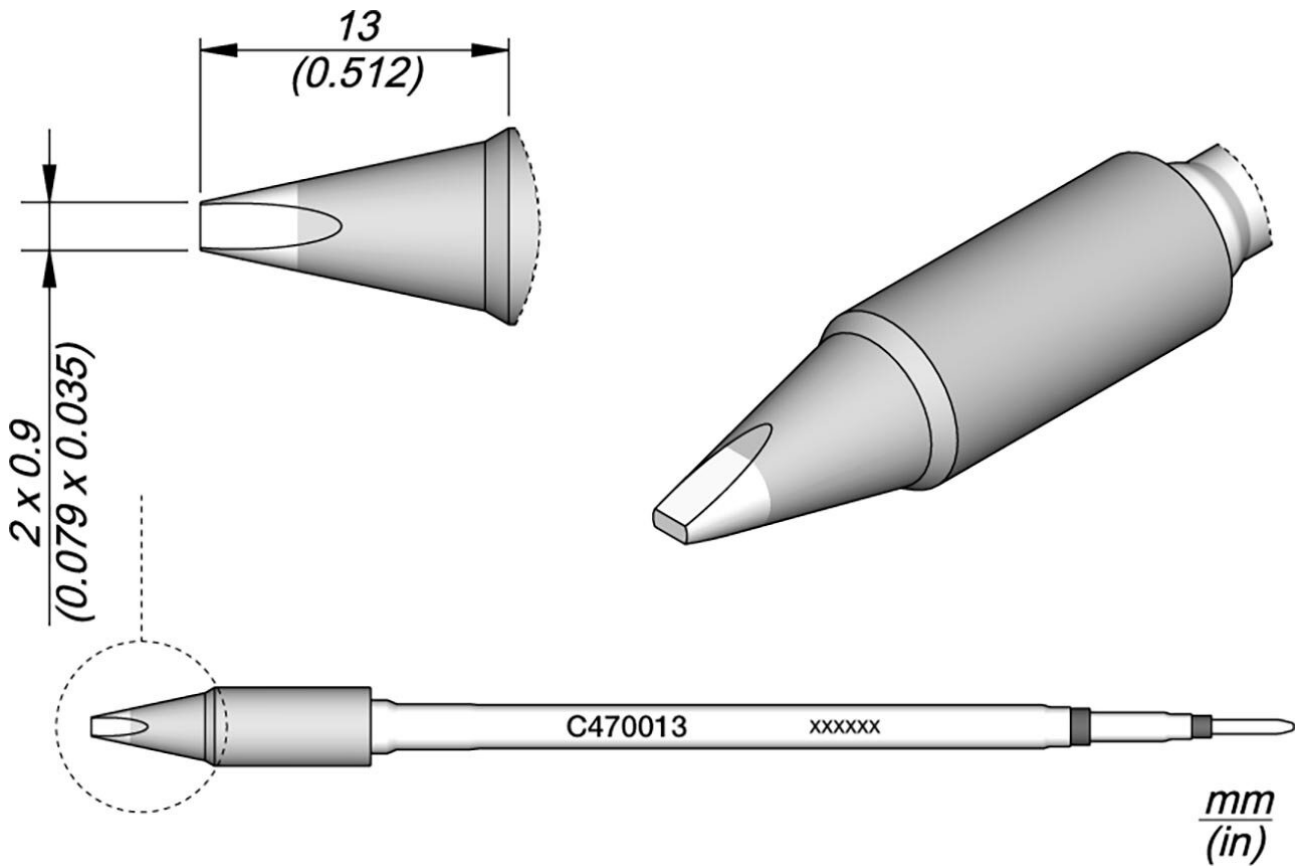


## Chisel-shaped soldering tip, 2 x 0.9 mm, C470013



for use up to 500 °C with supply unit HDE (formerly HD-4700)

Item no.	WL23669
Model	C470-013
Manufacturer	JBC
Manufacturer article no.	C470013
GPSR manufacturer data	JBC Soldering SL Ramón y Cajal 3 ES-08750 Molins De Rei www.jbctools.com
Length with packaging	183 mm
Width with packaging	60 mm
Height with packaging	34 mm
Sales unit	1 piece

Products for the electronic industry



Content unit	1 piece
Incl. battery	no
Product series	C470
Tip series	C470
Incl. integrated heating	yes
Tip dimensions	2 x 0,9 mm
Tip length	13 mm
Total length of the soldering tip	120 mm
Tip shape	chisel-shaped
Tip alignment	straight
Suitable soldering iron	T470
Matching handpiece	T470
Matching handpiece	T470
ESD compliant	no