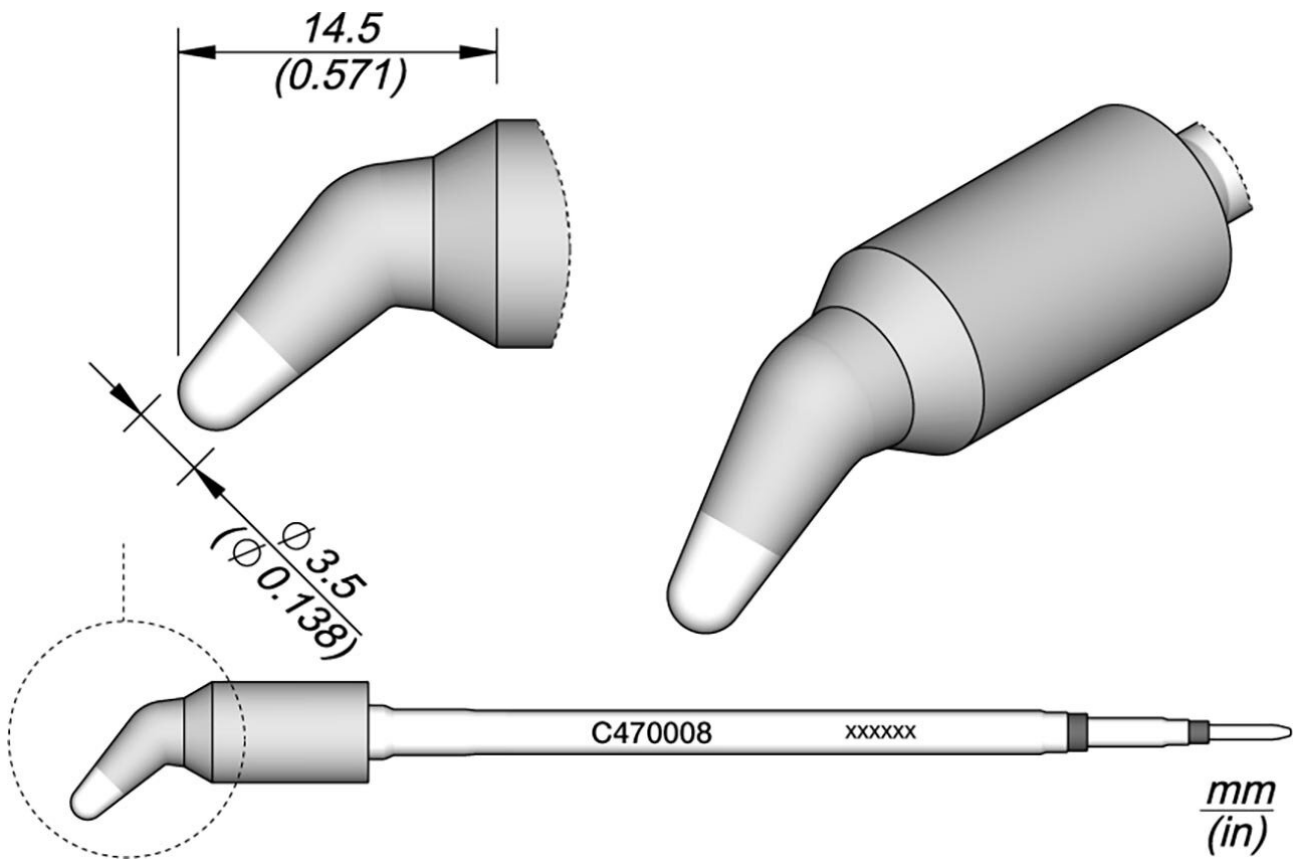


Angled soldering tip, D 3.5 mm, C470008



for use up to 500 °C with supply unit HDE (formerly HD-4700)

Item no.	WL23656
Model	C470-008
Manufacturer	JBC
Manufacturer article no.	C470008
GPSR manufacturer data	JBC Soldering SL Ramón y Cajal 3 ES-08750 Molins De Rei www.jbctools.com
Length with packaging	183 mm
Width with packaging	60 mm
Height with packaging	34 mm
Sales unit	1 piece

Products for the electronic industry



Content unit	1 piece
Incl. battery	no
Product series	C470
Tip series	C470
Incl. integrated heating	yes
Tip length	14.6 mm
Soldering tip diameter	3.5 mm
Tip shape	round
Tip alignment	bent
Matching handpiece	T470
ESD compliant	no