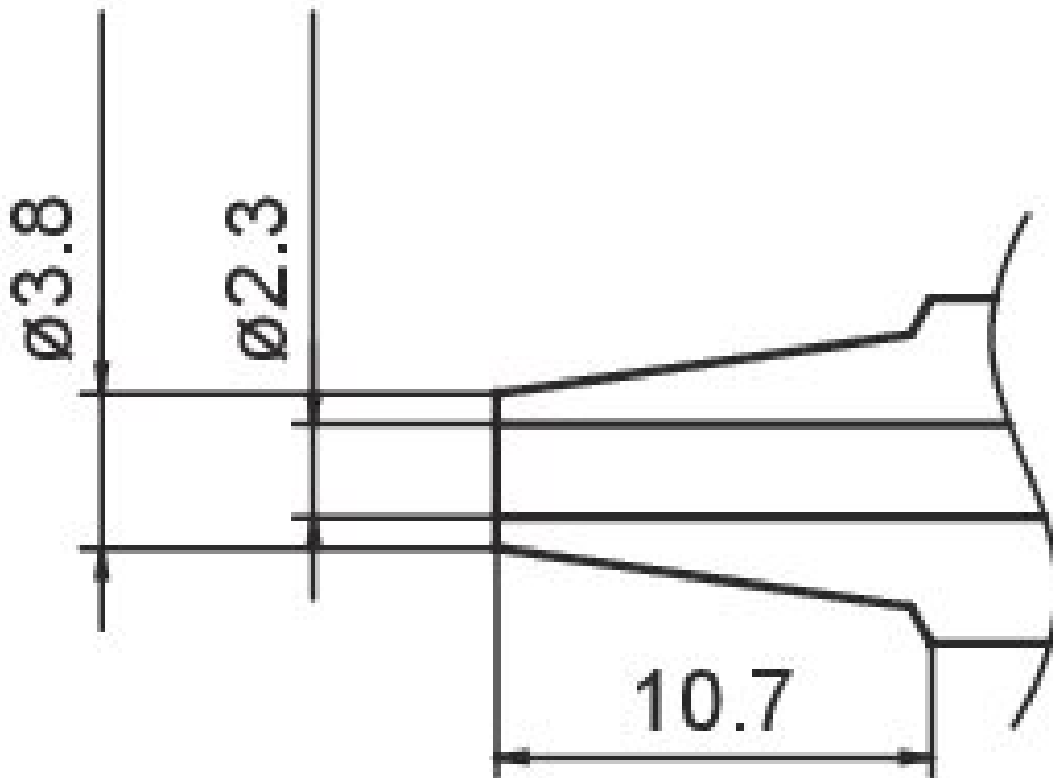


Desoldering nozzle \varnothing 2.3 mm



- for HAKKO desoldering punch FM 204 / FM 2024

Item no.	WL23427
Model	N1-23/N3-23
Manufacturer	HAKKO
Manufacturer article no.	N3-23
GPSR manufacturer data	TBK - Technisches Büro Kullik GmbH Industriestrasse 27 DE-56276 Großmaiseid www.kullik.com/
Length	65 mm
Width	170 mm

Height	20 mm
Sales unit	1 piece
Content unit	1 piece
Product series	N3
Tip series	N3
Inner diameter	2.3 mm
Outer diameter	3.8 mm
Tip shape	round
Tip alignment	straight
Matching handpiece	FM-2024
Matching handpiece	FM 2024
ESD compliant	no