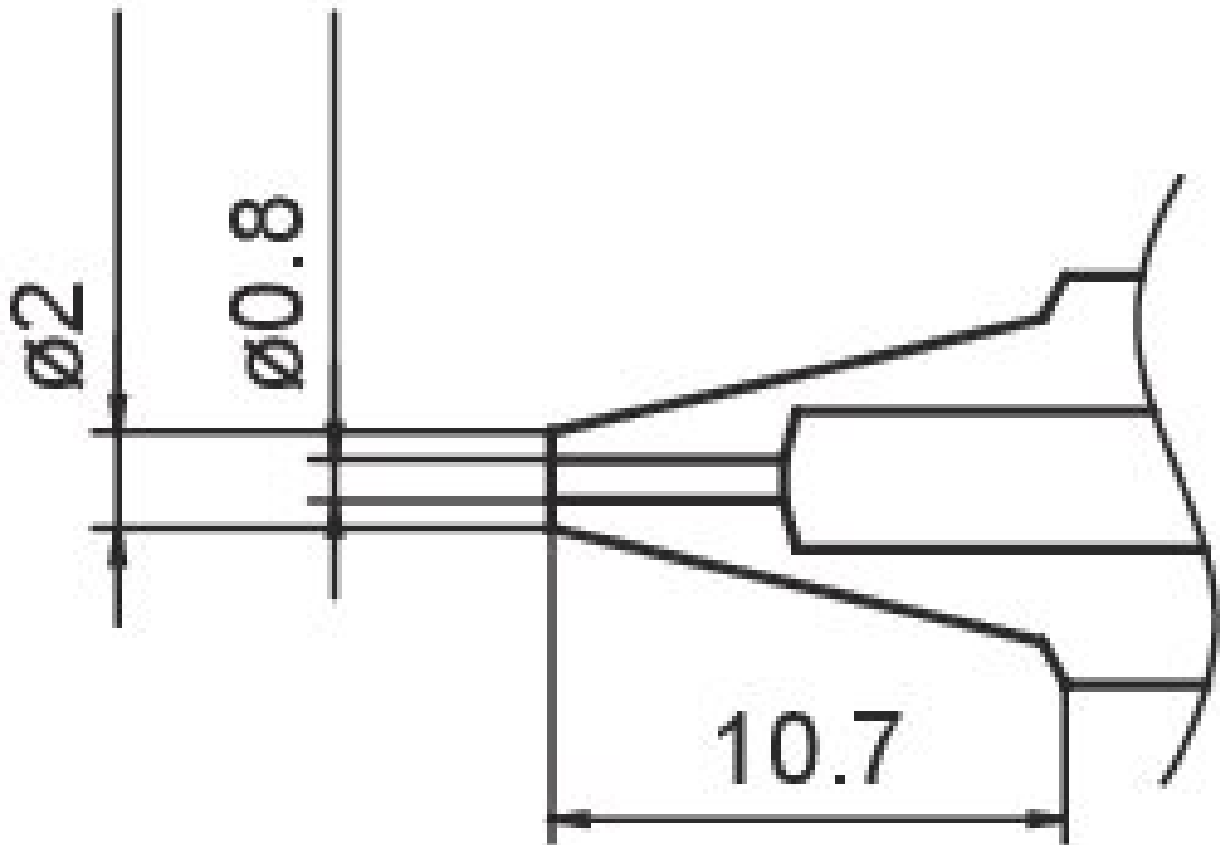


Desoldering nozzle \varnothing 0.8 mm



- for HAKKO desoldering nozzle FM 204 / FM 2024

Item no.	WL23421
Model	N3-08
Manufacturer	HAKKO
Manufacturer article no.	N3-08
GPSR manufacturer data	TBK - Technisches Büro Kullik GmbH Industriestrasse 27 DE-56276 Großmaischeid www.kullik.com/
Length	65 mm
Width	170 mm

Height	20 mm
Sales unit	1 piece
Content unit	1 piece
Incl. battery	no
Product series	N3
Tip series	N3
Inner diameter	0.8 mm
Outer diameter	2 mm
Tip shape	round
Tip alignment	straight
Matching handpiece	FM-2024
ESD compliant	no