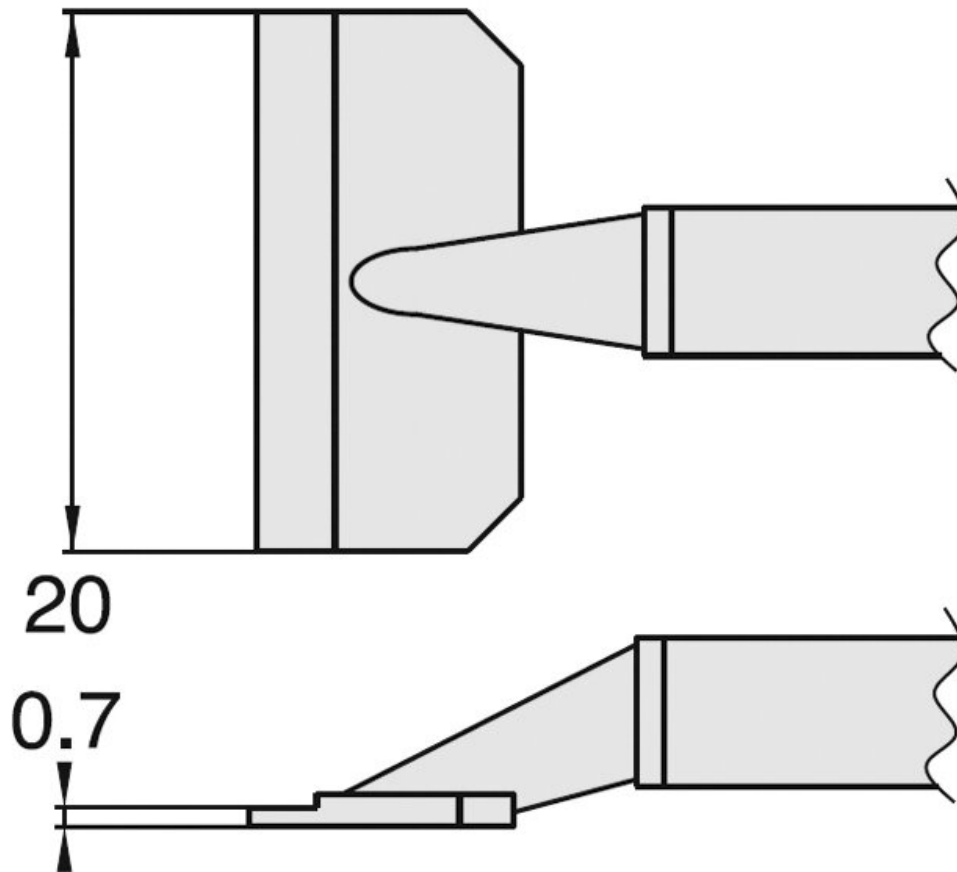


COMPOSIT soldering tip format SOP 20L



- for HAKKO Parallel Desoldering Tweezers FM 2022 (set of 2 pieces)

Item no.	WL23414
Model	T8-1010
Manufacturer	HAKKO
Manufacturer article no.	T8-1010
GPSR manufacturer data	TBK - Technisches Büro Kullik GmbH Industriestrasse 27 DE-56276 Großmaischeid www.kullik.com/
Length	170 mm
Width	65 mm

Height	6 mm
Sales unit	1 pair
Content unit	1 pair
Incl. battery	no
Product series	T8
Tip series	T8
Tip dimensions	0,7 x 20 mm
Tip shape	round
Tip alignment	bent
Matching handpiece	FM-2022
Matching handpiece	FM 2022
ESD compliant	no