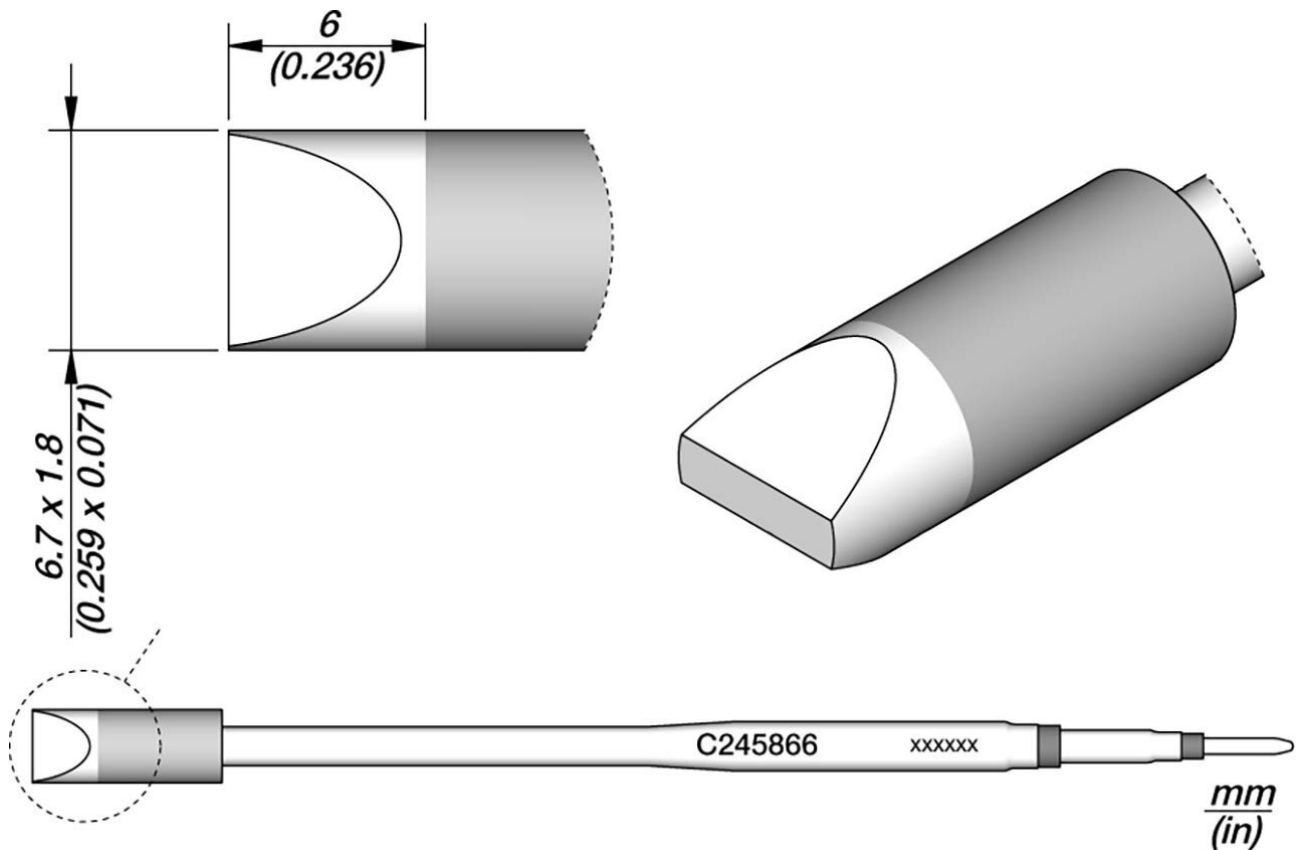


Chisel shaped soldering tip, 6.6 x 1.8 mm, C245866



Soldering tips series C245 for soldering iron T245 (formerly AD-2245). They are suitable for general soldering purposes. Sleep and sleep mode in the clipboard.
High thermal tip, 40% more efficient heat transfer to the tip

Item no.	WL23237
Model	C245-866
Manufacturer	JBC
Manufacturer article no.	C245866
GPSR manufacturer data	JBC Soldering SL Ramón y Cajal 3 ES-08750 Molins De Rei www.jbctools.com
Length with packaging	110 mm
Width with packaging	12 mm

Products for the electronic industry



Height with packaging	12 mm
Sales unit	1 piece
Content unit	1 piece
Incl. battery	no
Product series	C245
Tip series	C245
Incl. integrated heating	yes
Tip dimensions	6,6 x 1,8 mm
Tip length	6 mm
Tip width	6.6 mm
Total length of the soldering tip	120 mm
Tip shape	chisel-shaped
Tip alignment	straight
Suitable soldering iron	T245
Matching handpiece	T245
Matching handpiece	T245
ESD compliant	no