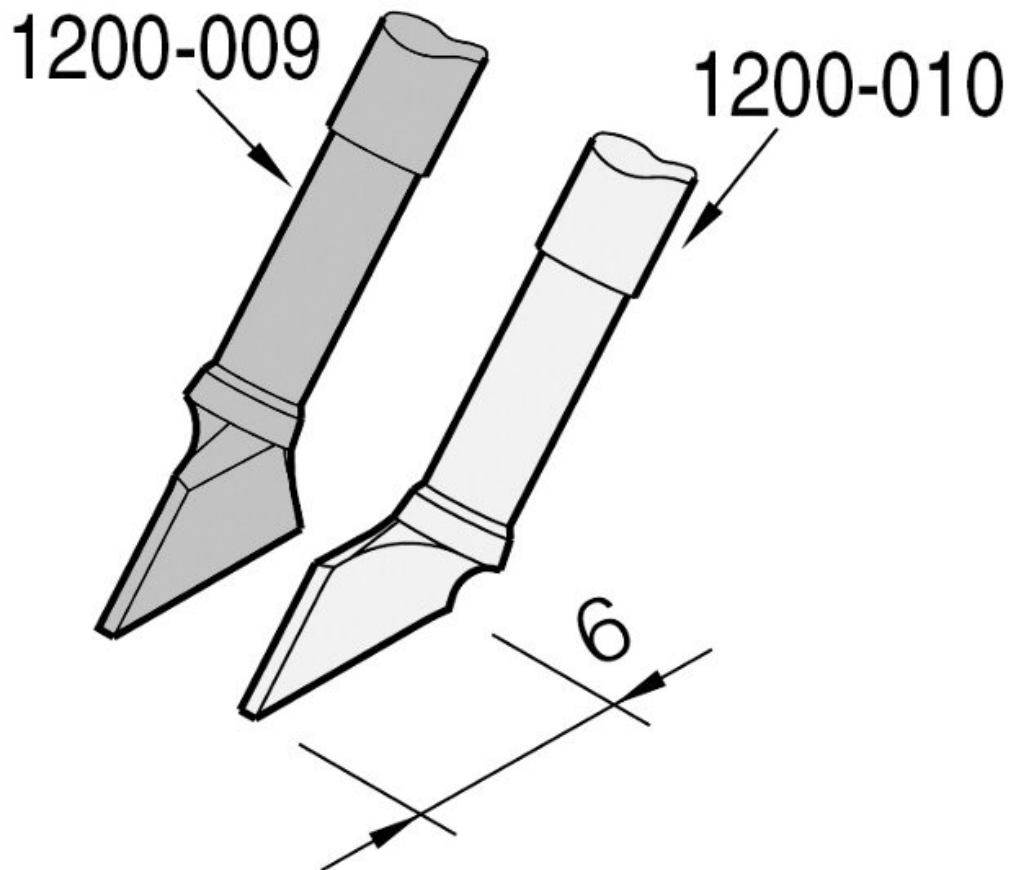


Desoldering tip blade-shaped right, 6 x 0.7 mm, C120009



The C120 series soldering tips are suitable for PA120 micro tweezers. These can be used for soldering and desoldering chip components or dual-in-line.

The tips are sold separately.

- can be used in combination with desoldering tip C120010
- right side
- single desoldering tip

Item no.	WL23226
Model	C120-009
Manufacturer	JBC
Manufacturer article no.	C120009
GPSR manufacturer data	JBC Soldering SL Ramón y Cajal 3

ES-08750 Molins De Rei
www.jbctools.com

Length with packaging	110 mm
Width with packaging	12 mm
Height with packaging	12 mm
Sales unit	1 piece
Content unit	1 piece
Incl. battery	no
Product series	C120
Tip series	C120
Incl. integrated heating	yes
Tip dimensions	6 x 0,7 mm
Tip width	6 mm
Total length of the soldering tip	85 mm
Tip applications	dual in line
Tip shape	blade-shaped
Tip alignment	straight
Matching handpiece	AM120, PA120
Matching handpiece	PA120, AM120
ESD compliant	no