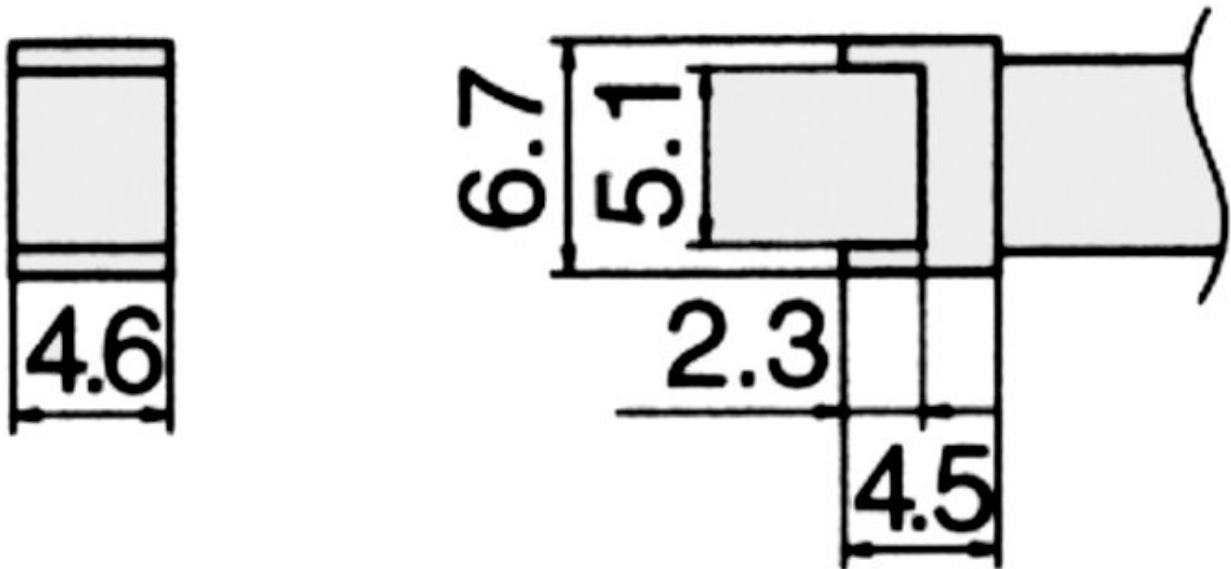


Soldering tip for FM2027 and FM2028, 5,1 x 4,6 mm



with integrated heating

Item no.	WL23162
Model	T12-1001
Manufacturer	HAKKO
Manufacturer article no.	T15-1001
GPSR manufacturer data	TBK - Technisches Büro Kullik GmbH Industriestrasse 27 DE-56276 Großmaischeid www.kullik.com/
Sales unit	1 piece
Content unit	1 piece
Product series	T12
Tip series	T15
Tip dimensions	5,1 x 4,6 mm
Tip applications	for Dual-in-Line-IC
Tip shape	chisel-shaped
Tip alignment	straight

Products for the electronic industry



Matching handpiece	FM-2027, FM-2028
Matching handpiece	FM 2027, FM2028
ESD compliant	no

