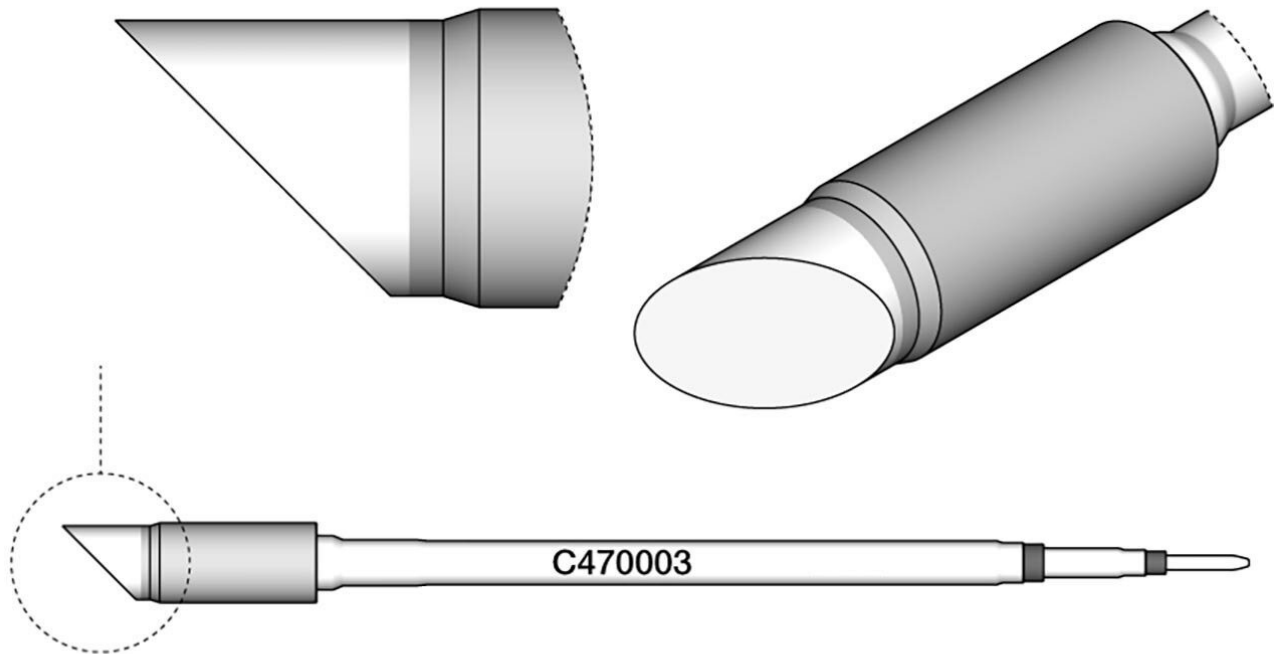


## Soldering tip bevelled, D 7.5 mm, C470003



The C470-003 soldering tip from the C470 series has been developed for the T470 handpiece and is suitable for temperatures up to 500 °C in conjunction with the HDE supply unit.

The beveled, round tip with a diameter of 7.5 mm enables precise work on larger solder joints and ensures even heat transfer.

With an overall length of 120 mm, a tip length of 10 mm, a weight of 16 g and integrated heating, the tip is ideal for professional applications in electronics workshops.  
for use up to 500 °C with supply unit HDE (formerly HD-4700)

Item no.	WL23009
Model	C470-003
Manufacturer	JBC
Manufacturer article no.	C470003

Products for the electronic industry



**GPSR manufacturer data**

JBC Soldering SL  
 Ramón y Cajal 3  
 ES-08750 Molins De Rei  
 www.jbctools.com

Length with packaging	183 mm
Width with packaging	60 mm
Height with packaging	34 mm
Sales unit	1 piece
Content unit	1 piece
Product series	C470
Tip series	C470
Incl. integrated heating	yes
Tip length	10 mm
Total length of the soldering tip	120 mm
Soldering tip diameter	7.5 mm
Tip shape	round
Tip alignment	sloped
Suitable soldering iron	T470
Matching handpiece	T470
Matching handpiece	T470
ESD compliant	no

