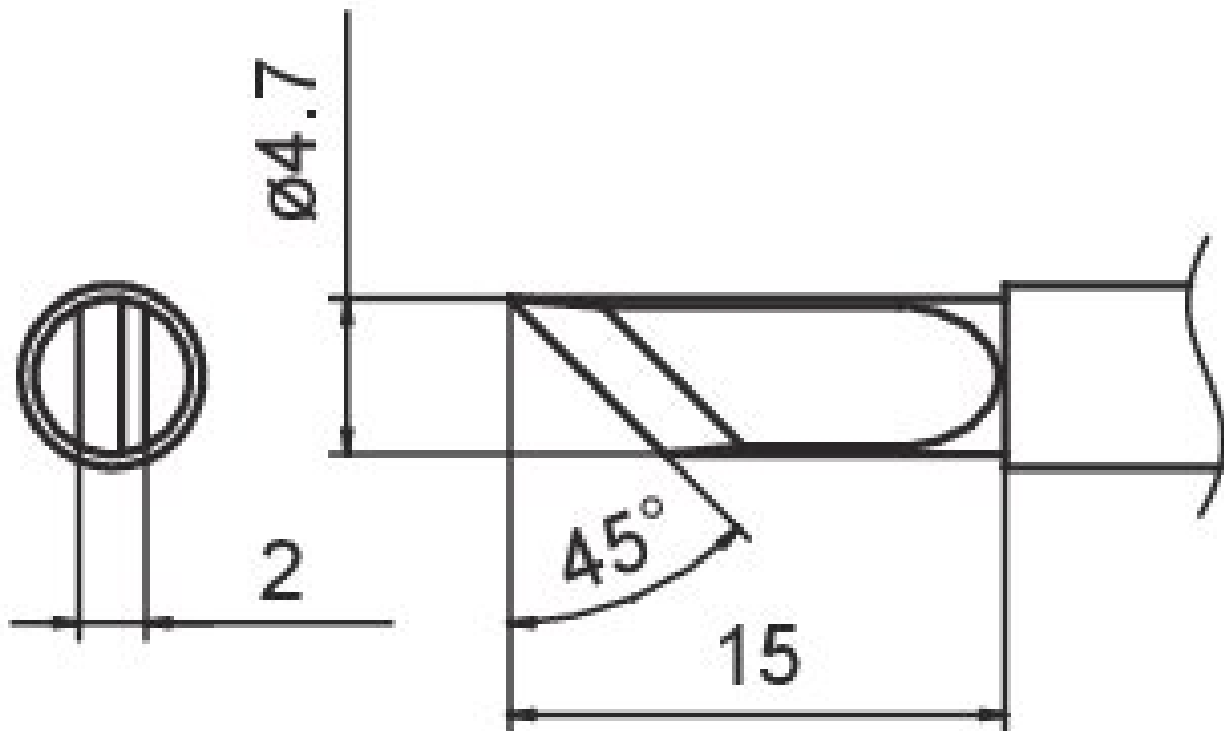


COMPOSIT soldering tip format K



- for HAKKO soldering iron FM 2027/2028

Item no.	WL22994
Model	T12-K / T15-K
Manufacturer	HAKKO
Manufacturer article no.	T15-K
GPSR manufacturer data	TBK - Technisches Büro Kullik GmbH Industriestrasse 27 DE-56276 Großmaiseid www.kullik.com/
Length	220 mm
Width	45 mm
Height	7 mm
Sales unit	1 piece
Content unit	1 piece

Products for the electronic industry



Product series	T15
Tip series	T15
Tip dimensions	4,7 x 2 mm
Tip shape	blade-shaped
Tip alignment	sloped
Matching handpiece	FM-2027, FM-2028
Matching handpiece	FM 2027, FM2028
ESD compliant	no