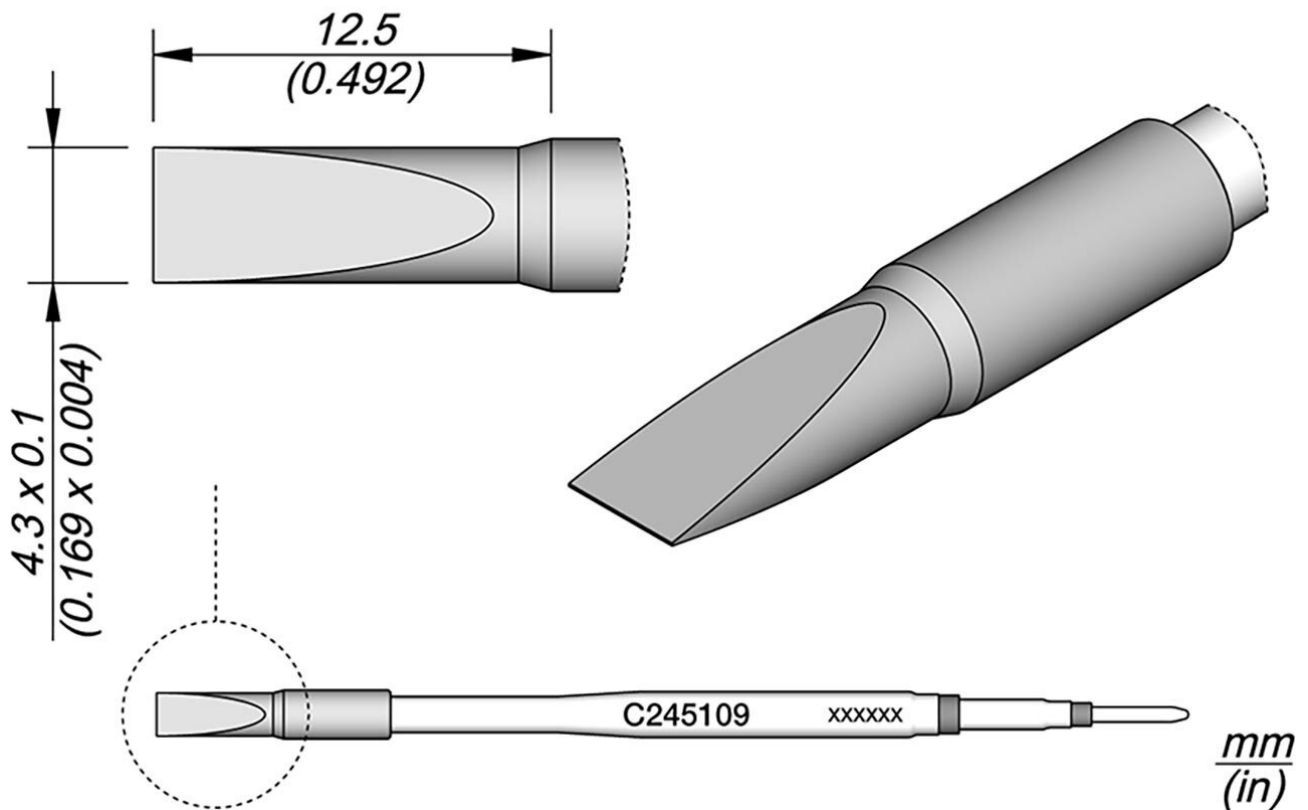


Special soldering tips, for soldering iron T245, C245109

CHROME FINISH, DESIGNED FOR USE WITH PLASTICS



- Special tip for special application
- untinned, for cutting materials

Item no.	WL22967
Model	C245-109
Manufacturer	JBC
Manufacturer article no.	C245109
GPSR manufacturer data	JBC Soldering SL Ramón y Cajal 3 ES-08750 Molins De Rei www.jbctools.com
Length with packaging	110 mm
Width with packaging	12 mm

Products for the electronic industry



Height with packaging	12 mm
Sales unit	1 piece
Content unit	1 piece
Incl. battery	no
Product series	C245
Tip series	C245
Incl. integrated heating	yes
Tip dimensions	4,3 x 0,1 mm
Tip length	12.5 mm
Total length of the soldering tip	100 mm
Tip shape	chisel-shaped
Tip alignment	straight
Suitable soldering iron	T245
Matching handpiece	T245
Matching handpiece	T245
ESD compliant	no