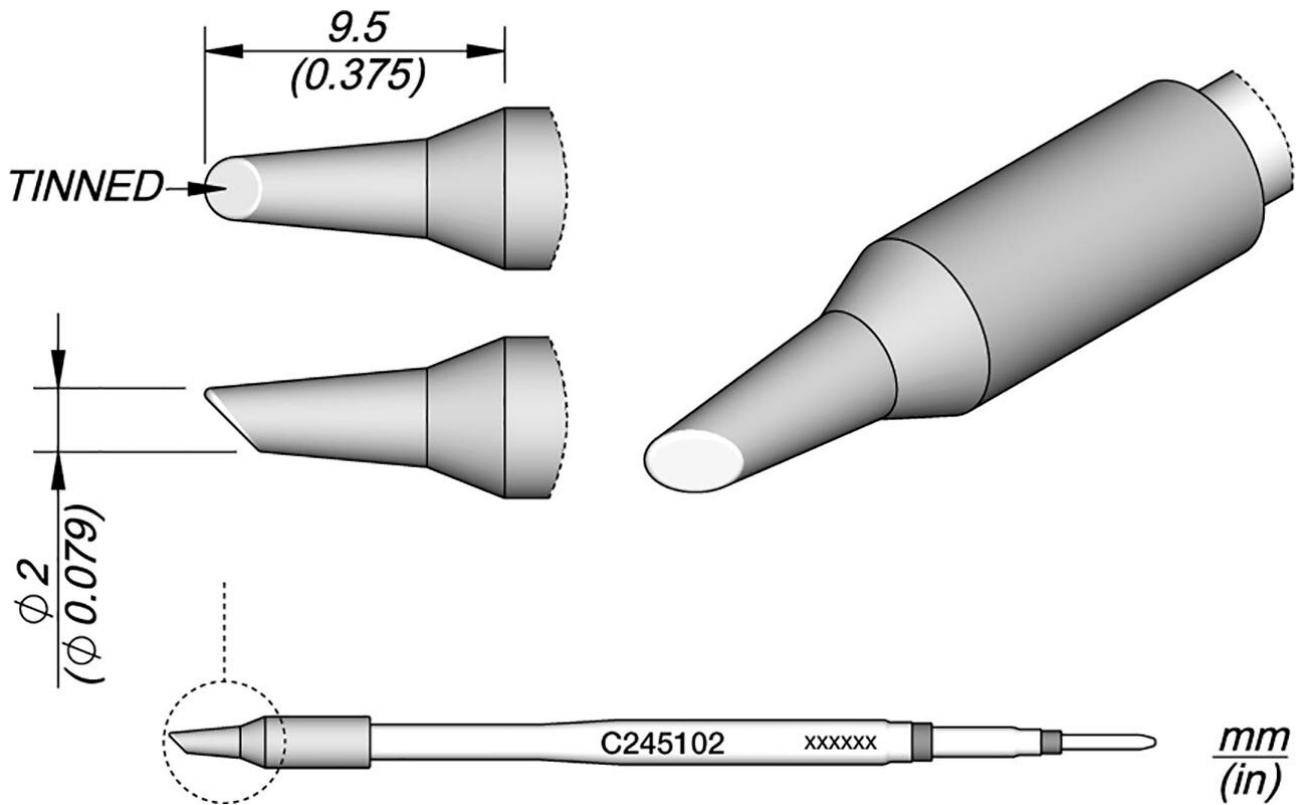


Soldering tip bevelled, D: 2.0 mm, C245102



Soldering tips series C245 for soldering iron T245 (formerly AD-2245). They are suitable for general soldering purposes. Sleep and sleep mode in the clipboard.

- tinned only on the bevelled surface
- for special application

Item no.	WL22966
Model	C245-102
Manufacturer	JBC
Manufacturer article no.	C245102
GPSR manufacturer data	JBC Soldering SL Ramón y Cajal 3 ES-08750 Molins De Rei www.jbctools.com
Length with packaging	110 mm
Width with packaging	12 mm

Products for the electronic industry



Height with packaging	12 mm
Sales unit	1 piece
Content unit	1 piece
Incl. battery	no
Product series	C245
Tip series	C245
Incl. integrated heating	yes
Tip length	9.5 mm
Total length of the soldering tip	100 mm
Soldering tip diameter	2 mm
Tip shape	round
Tip alignment	sloped
Matching handpiece	T245
ESD compliant	no