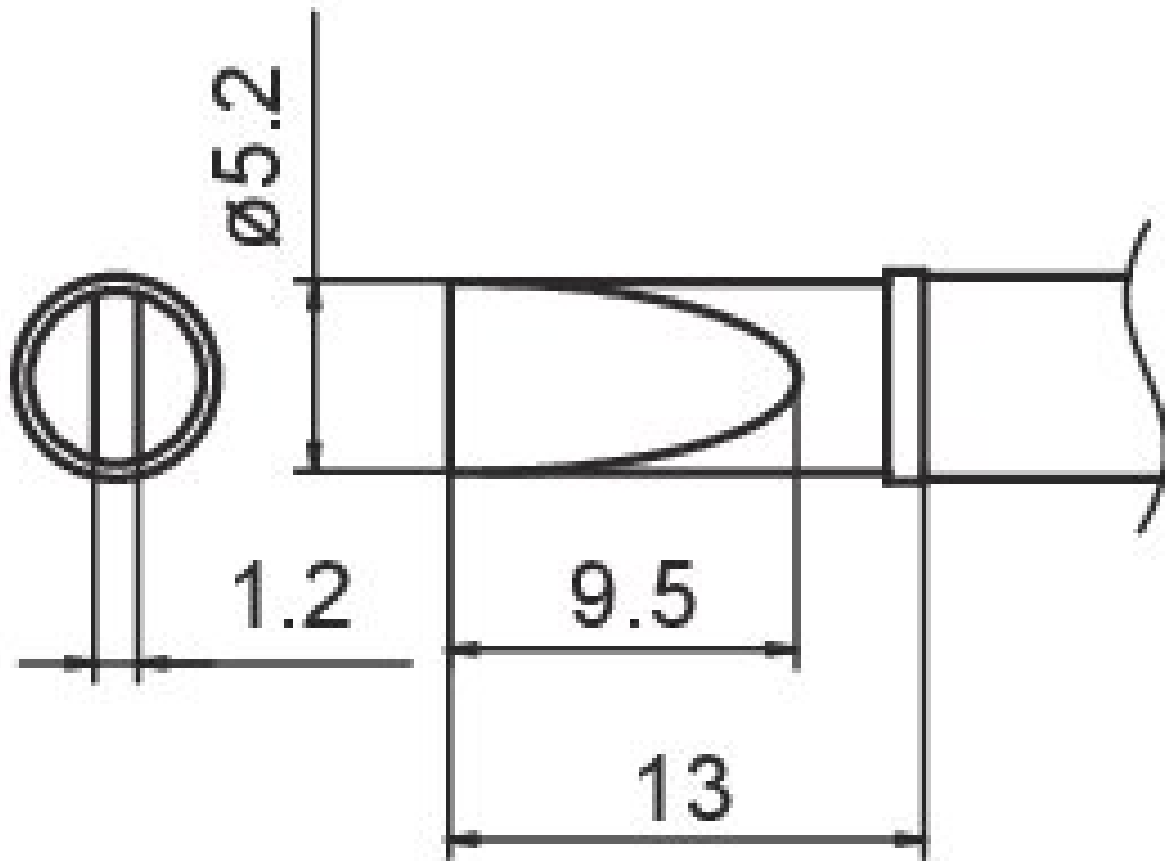


## COMPOSIT soldering tip format 5.2D LONG



- for HAKKO soldering iron FM 2027/2028

Item no.	WL22962
Model	T12-DL52 / T15-DL52
Manufacturer	HAKKO
Manufacturer article no.	T15-DL52
GPSR manufacturer data	TBK - Technisches Büro Kullik GmbH Industriestrasse 27 DE-56276 Großmaiseid www.kullik.com/
Length	220 mm
Width	45 mm

Height	7 mm
Sales unit	1 piece
Content unit	1 piece
Incl. battery	no
Product series	T15
Tip series	T15
Tip dimensions	5,2 x 1,2 mm
Tip shape	chisel-shaped
Tip alignment	straight
Matching handpiece	FM-2027, FM-2028
Matching handpiece	FM 2027, FM2028
ESD compliant	no