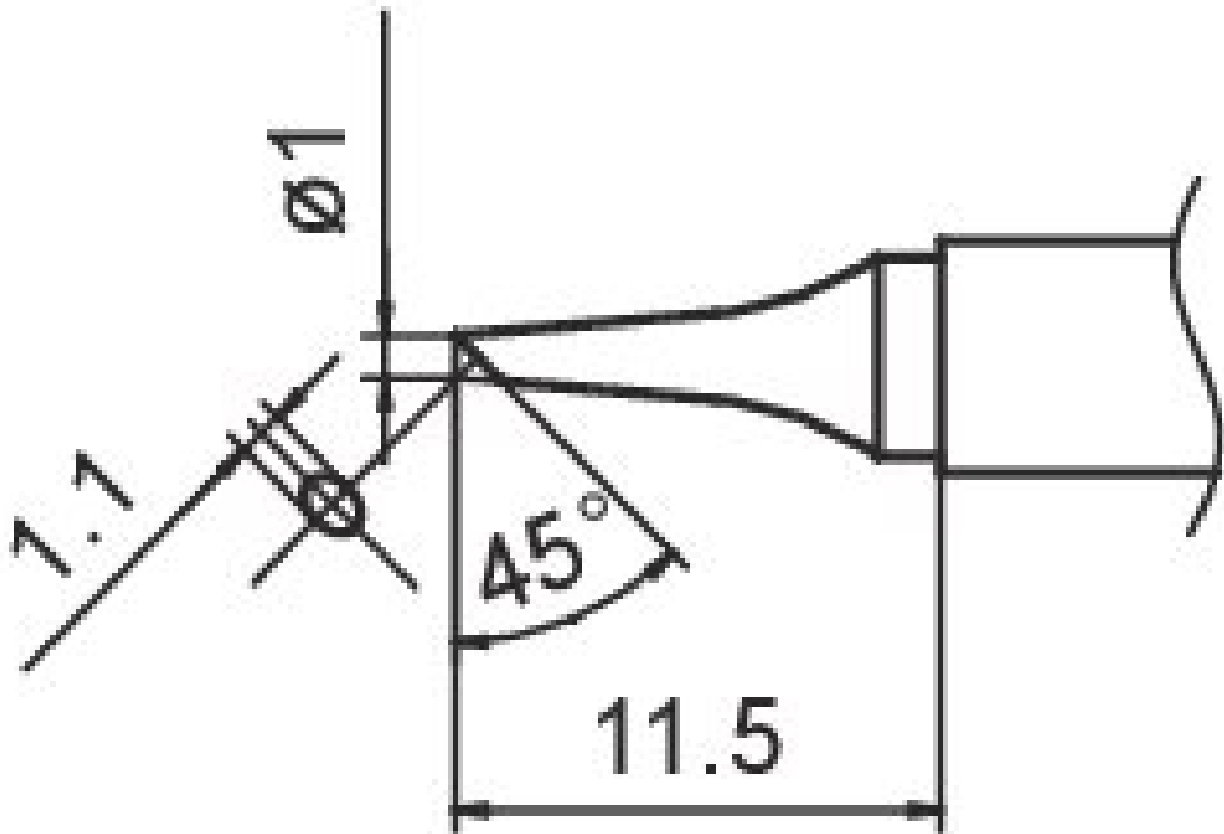


COMPOSIT soldering tip format 1BC



- for HAKKO soldering iron FM 2027/2028

Item no.	WL22946
Model	T15-BC1
Manufacturer	HAKKO
Manufacturer article no.	T15-BC1
GPSR manufacturer data	TBK - Technisches Büro Kullik GmbH Industriestrasse 27 DE-56276 Großmaiseid www.kullik.com/
Length	220 mm
Width	45 mm

Height	7 mm
Sales unit	1 piece
Content unit	1 piece
Product series	T15
Tip series	T15
Soldering tip diameter	1 mm
Tip shape	round
Tip alignment	sloped
Matching handpiece	FM-2027, FM-2028
Matching handpiece	FM 2027, FM2028
ESD compliant	no