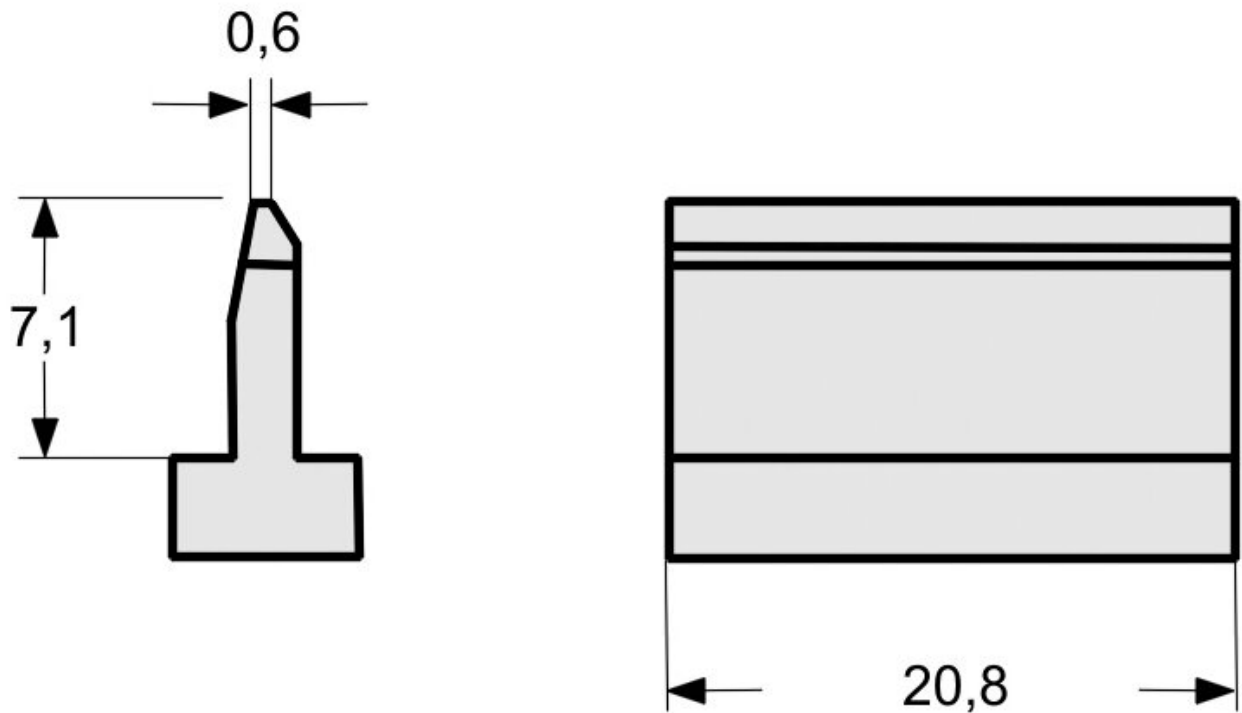


SMT03 Weller soldering tip for PAD cleaning, 20.8 mm



- Soldering tip for PAD cleaning
- For WSP 80, WP 80 and WP 80IG, WP 120, WP 120IG, WXP 120, add corresponding tip sleeve and screw-in tip M4 for WSP 80, WP 80 and WP 80IG

Item no.	WL22761
Model	LT SMT03
Manufacturer	WELLER
Manufacturer article no.	T0054450399N
GPSR manufacturer data	WELLER Tools GmbH Carl-Benz-Strasse 2 DE-74354 Besigheim www.weller.eu
Sales unit	1 piece
Content unit	1 piece
Incl. battery	no
Product series	LT-SMT Series

Products for the electronic industry



Type of tip	HM
Tip series	LT-SMD
Tip length	7.1 mm
Tip length in inches	0.28 in
Tip width	20.8 mm
Tip width in inches	0.819 in
Tip thickness	0.6 mm
Tip thickness in inches	0.02 in
Tip shape	SMT
Tip alignment	straight
Matching handpiece	WP 80, WSP 80, WXP 80
Matching handpiece	WSP 80, WP 80 und WP 80IG, WP 120, WP 120IG, WXP 120
ESD compliant	no