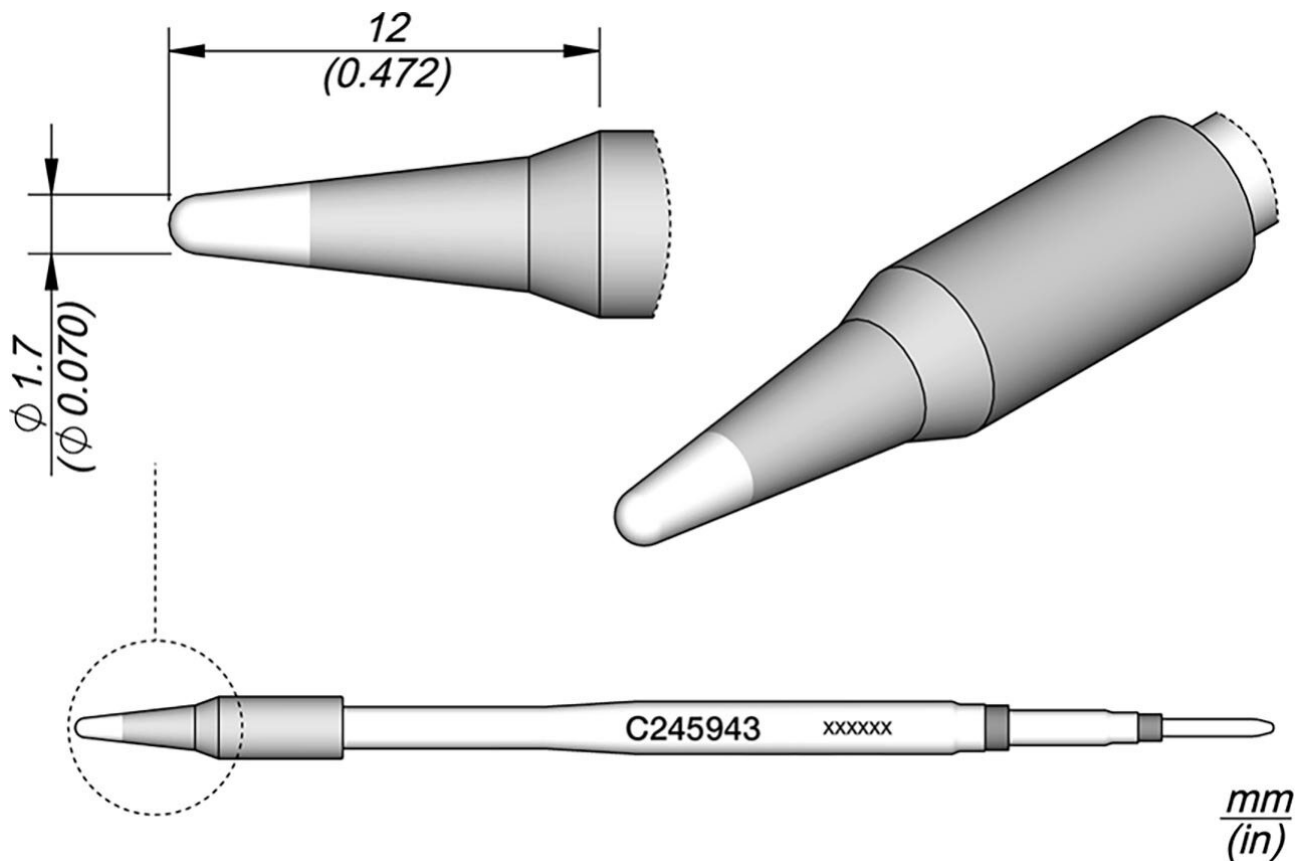


## Soldering tip conical, D: 1.7 mm, C245943



Soldering tips series C245 for soldering iron T245 (formerly AD-2245). They are suitable for general soldering purposes. Sleep and sleep mode in the clipboard.

Item no.	WL22512
Model	C245-943
Manufacturer	JBC
Manufacturer article no.	C245943
GPSR manufacturer data	JBC Soldering SL Ramón y Cajal 3 ES-08750 Molins De Rei www.jbctools.com
Length with packaging	110 mm
Width with packaging	12 mm
Height with packaging	12 mm

Products for the electronic industry



Sales unit	1 piece
Content unit	1 piece
Incl. battery	no
Product series	C245
Tip series	C245
Incl. integrated heating	yes
Tip length	12 mm
Total length of the soldering tip	100 mm
Soldering tip diameter	1.7 mm
Tip shape	round
Tip alignment	straight
Matching handpiece	T245
ESD compliant	no