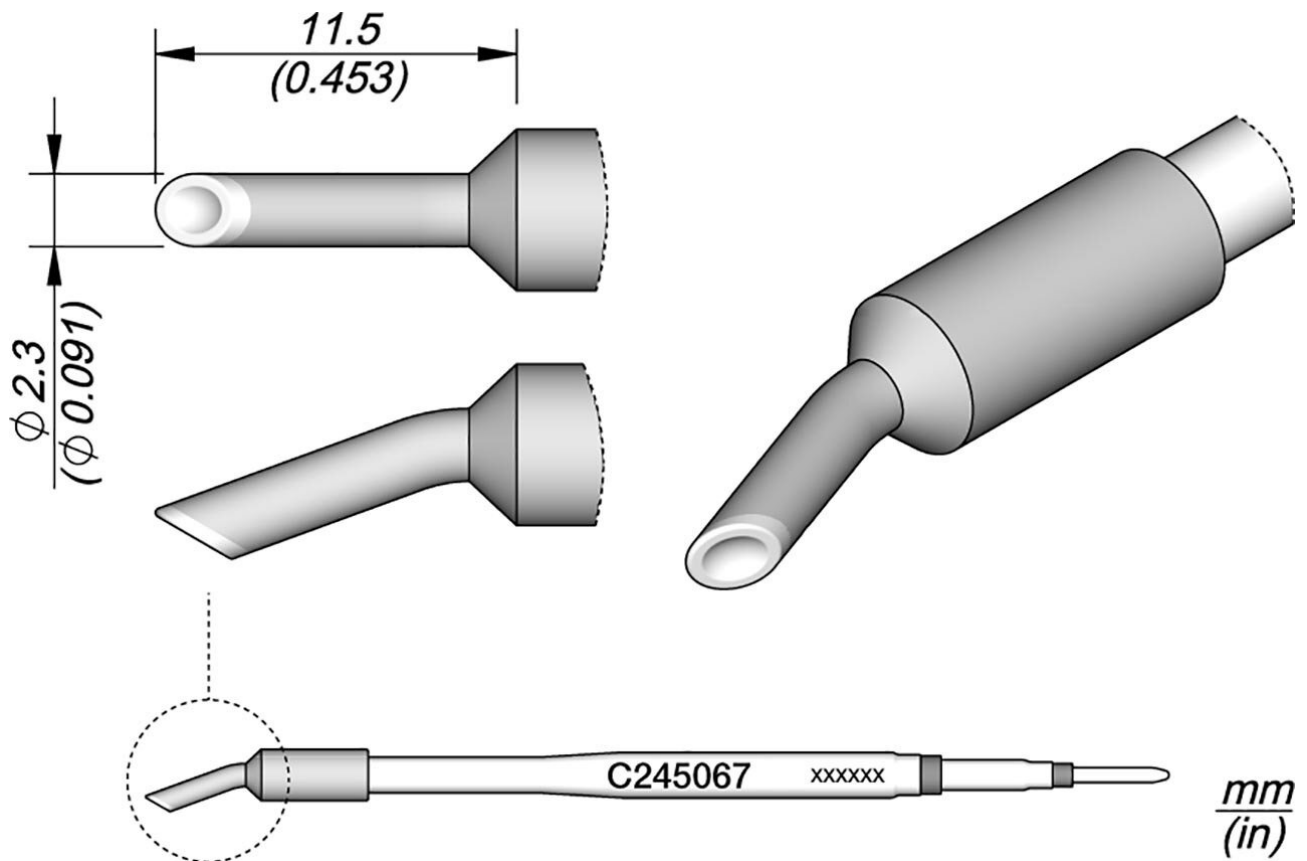


## Soldering tip spoon-shaped, D: 2.3 mm, C245067



Soldering tips series C245 for soldering iron T245 (formerly AD-2245). They are suitable for general soldering purposes. Sleep and sleep mode in the clipboard.

- Solder depot tip for Fine Pitch
- 20° angled

Item no.	WL22504
Model	C245-067
Manufacturer	JBC
Manufacturer article no.	C245067
GPSR manufacturer data	JBC Soldering SL Ramón y Cajal 3 ES-08750 Molins De Rei www.jbctools.com
Length with packaging	110 mm

Products for the electronic industry



Width with packaging	12 mm
Height with packaging	12 mm
Sales unit	1 piece
Content unit	1 piece
Incl. battery	no
Product series	C245
Tip series	C245
Incl. integrated heating	yes
Tip length	11.5 mm
Total length of the soldering tip	100 mm
Soldering tip diameter	2.3 mm
Tip applications	for Fine Pitch
Tip shape	hollow profile
Tip alignment	bent
Suitable soldering iron	T245
Matching handpiece	T245
Matching handpiece	T245
ESD compliant	no