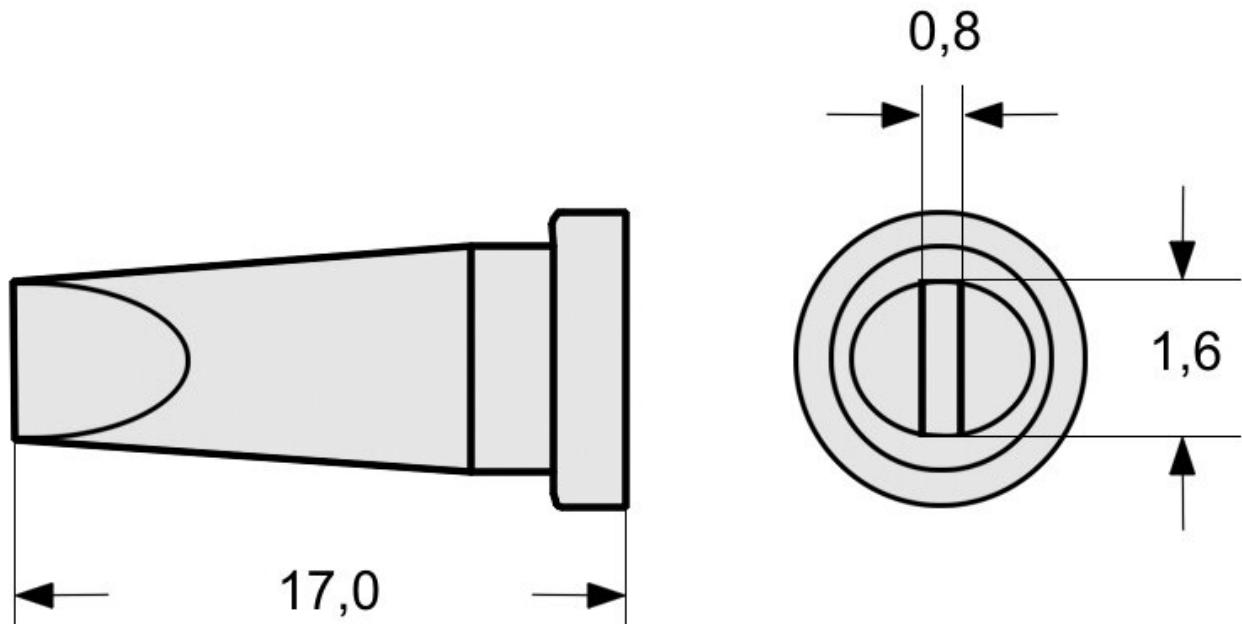


LTR A Weller soldering tip, chisel shape 1.6 x 0.8 mm



with anti-twist protection for use in automatic soldering machines - together with radiator HER

Item no.	WL22502
Model	LTR A
Manufacturer	WELLER
Manufacturer article no.	T0054444199
GPSR manufacturer data	WELLER Tools GmbH Carl-Benz-Strasse 2 DE-74354 Besigheim www.weller-tools.com
Sales unit	1 piece
Content unit	1 piece
Diameter	6.8 mm
Incl. battery	no
Product series	LTR series
Type of tip	HM
Tip series	LTR

Products for the electronic industry



Tip length	18 mm
Tip width	1.6 mm
Tip thickness	0.8 mm
Tip shape	chisel-shaped
Tip alignment	straight
Matching handpiece	HER 80
Matching handpiece	WP 80, WSP 80, MPR 80, FE 75, LR 21
ESD compliant	no