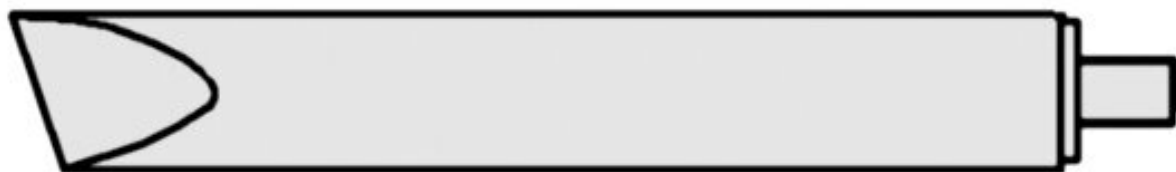
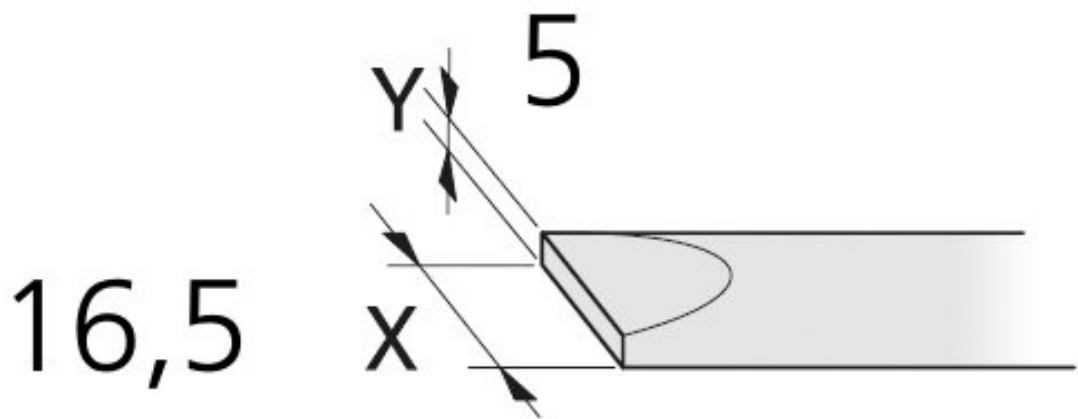


Soldering tip for 150 S LD, CLASSIC series, 180420



Item no.	WL22430
Model	150D
Manufacturer	JBC
Manufacturer article no.	180420
GPSR manufacturer data	JBC Soldering SL Ramón y Cajal 3 ES-08750 Molins De Rei www.jbctools.com
Sales unit	1 piece
Content unit	1 piece
Tip series	diverse
Tip dimensions	16,5 x 5 mm
Tip shape	knife-shaped
Tip alignment	sloped

Products for the electronic industry



Suitable soldering iron	150S
Matching handpiece	150S
Matching handpiece	150S
ESD compliant	no

