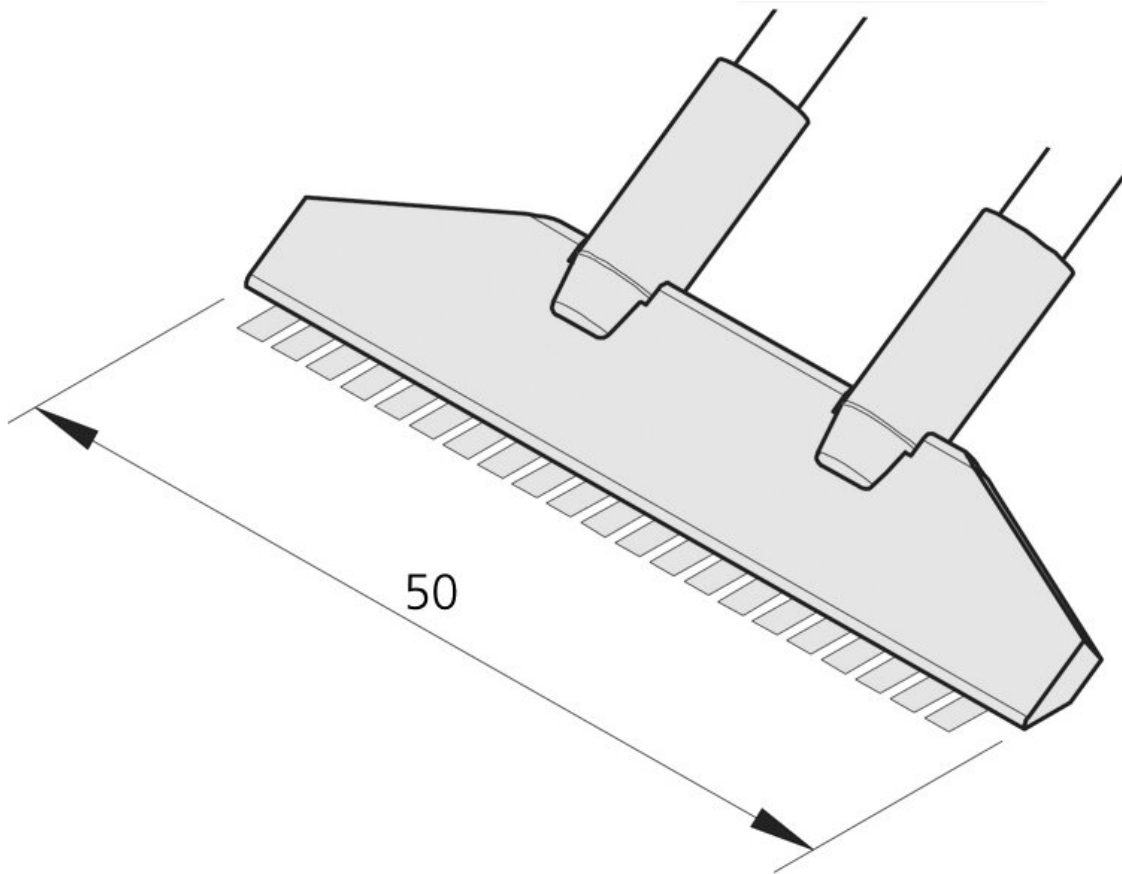


Soldering tip blade-shaped, 50 x 2.2 mm, C420283



The C420 tip series are suitable for soldering and desoldering SMD components. The soldering tips are compatible with the thermo tweezers HT420 and are sold separately. SMD soldering/desoldering tip

Item no.	WL21494
Model	C420-283
Manufacturer	JBC
Manufacturer article no.	C420283
GPSR manufacturer data	JBC Soldering SL Ramón y Cajal 3 ES-08750 Molins De Rei www.jbctools.com
Length with packaging	155 mm

Products for the electronic industry



Width with packaging	56 mm
Height with packaging	46 mm
Sales unit	1 piece
Content unit	1 piece
Product series	C420
Tip series	C420
Incl. integrated heating	yes
Tip dimensions	50 x 2,2 mm
Tip width	50 mm
Total length of the soldering tip	120 mm
Tip shape	blade-shaped
Tip alignment	straight
Matching desoldering tweezers	HT420, AT420
Matching handpiece	AT420, HT420
Matching handpiece	HT420, AT420
ESD compliant	no