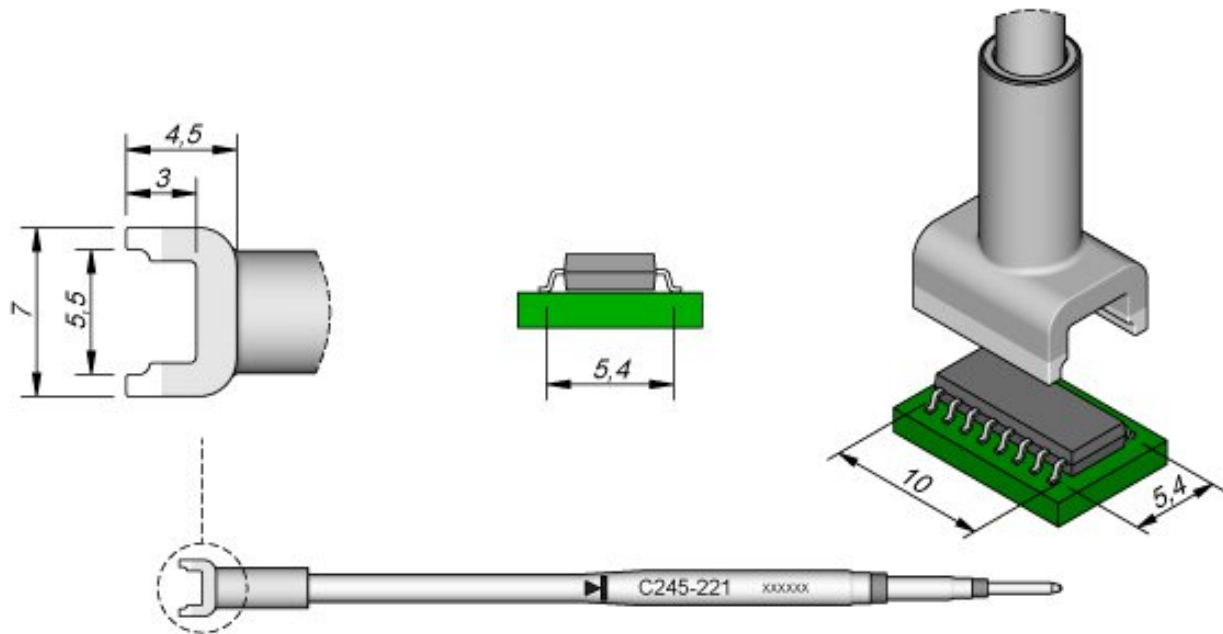


## Desoldering tip tunnel 5,4 x 10 mm, C245221



### SMD Desoldering Tip Series C245 for Soldering Iron T245 (formerly AD-2245)

item number	WL21480
model	C245-221
manufacturer	JBC
manufacturer item number	C245221
GPSR manufacturer information	JBC Soldering SL Ramón y Cajal 3 ES-08750 Molins De Rei www.jbctools.com
length with packaging	110 mm
width with packaging	12 mm
height with packaging	12 mm
order unit	1 piece
content unit	1 piece
product series	C245
Tip series	C245

Products for the electronic industry



with integrated heating	yes
total length soldering tip	120 mm
tip application	for dual-in-line IC 10 x 5.4 mm
tip shape	special form
tip alignment	straight
suitable soldering iron	T245
suitable handpiece	T245
suitable handle	T245
ESD safe	no