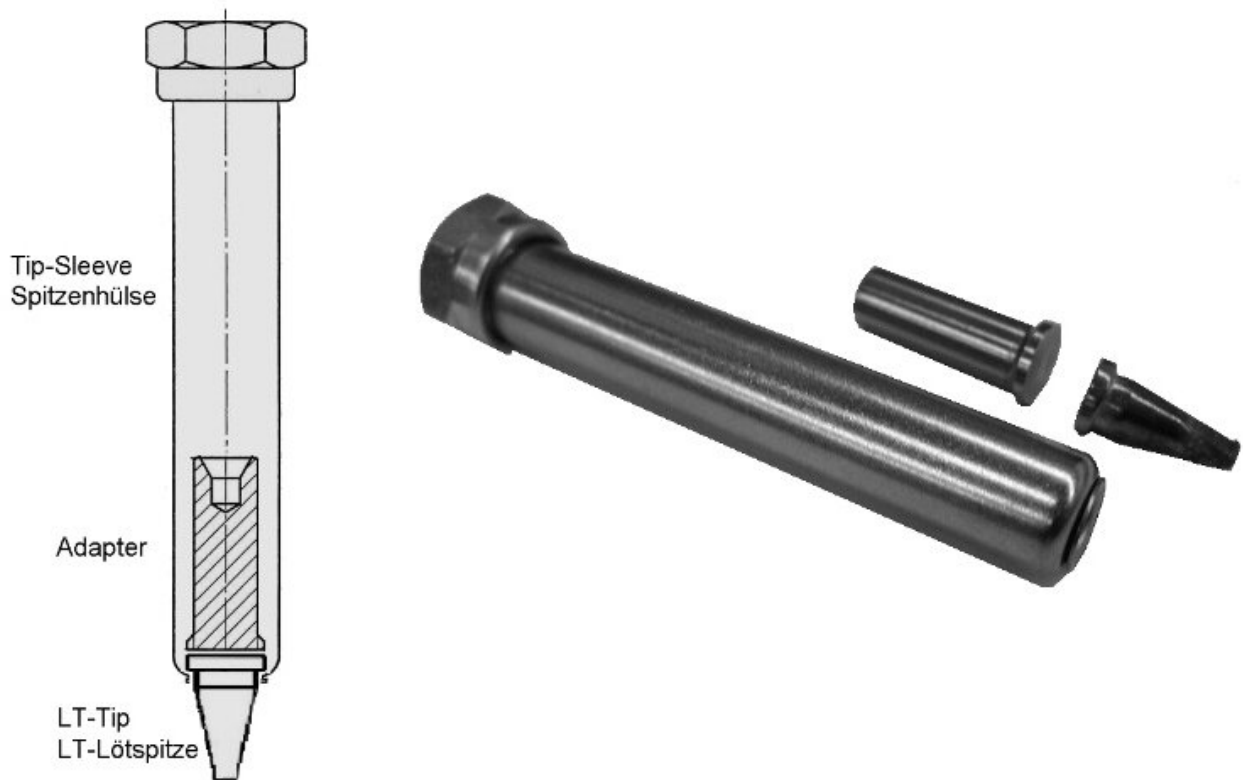


## PT9-LT adapter with 480° tip sleeve



The PT9-LT adapter with tip sleeve 480° from Weller is a high-quality accessory that has been specially developed for use in demanding soldering applications. The robust design ensures reliable performance and durability. The tip sleeve enables precise work at high temperatures up to 480 degrees Celsius. This product is compatible with a wide range of soldering stations and provides optimum heat transfer for efficient soldering processes.

- PT9-LT adapter with tip sleeve 480°C
- The soldering tips of the LT series are used with an adapter in the soldering irons TCPS, TCP 12 and TCP 24.
- All TCP and LR 21 pistons are supplied with adapter
- for MAGNASTAT TCP

Item no.	WL20762
Model	T0058720789
Manufacturer	WELLER
Manufacturer article no.	T0058720789N

Products for the electronic industry



GPSR manufacturer data

WELLER Tools GmbH  
Carl-Benz-Strasse 2  
DE-74354 Besigheim  
www.weller.eu

Sales unit	1 piece
Content unit	1 piece
Product series	PTx-LT Adapter
Matching handpiece	TCPS, TCP 24, TCP 12

