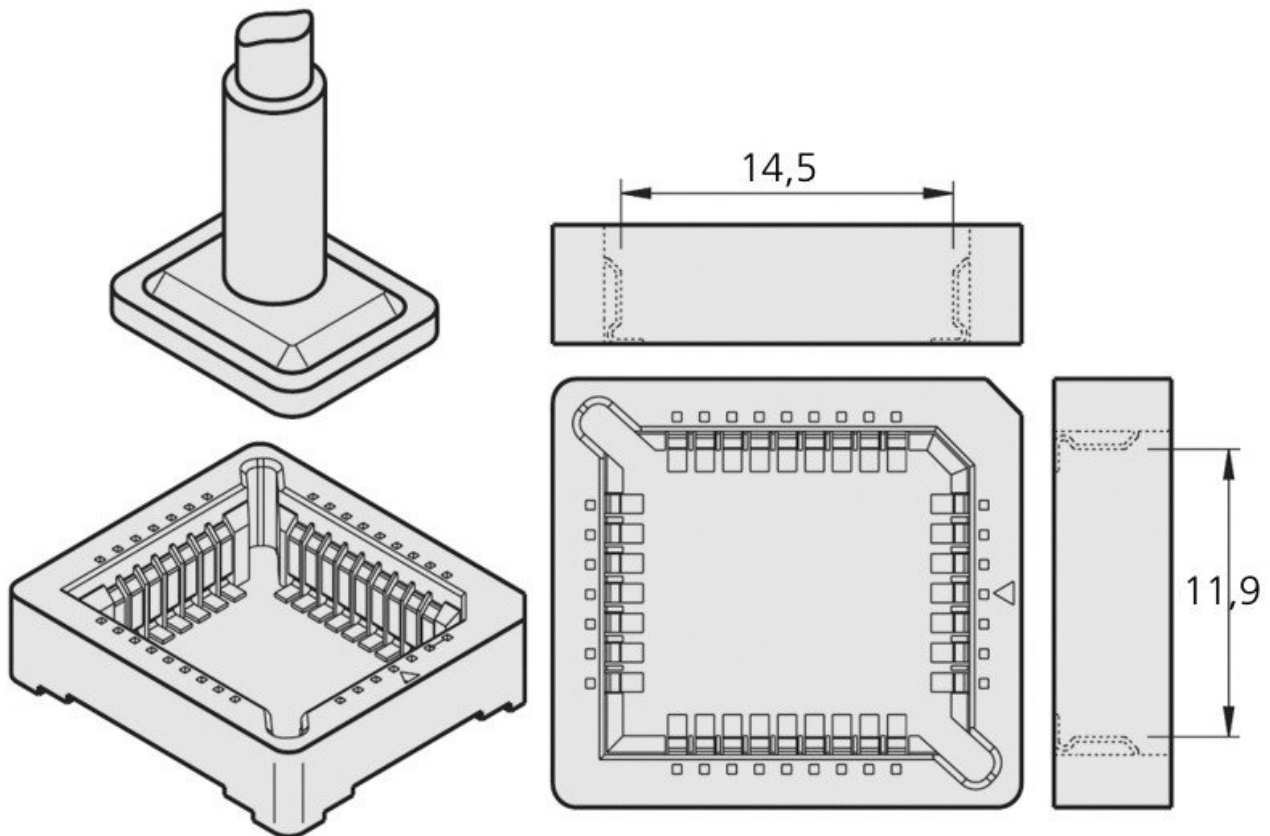


Desoldering tip socket 17 x 17 mm, C245247



The C245-247 SMD desoldering tip from JBC is part of the C245 tip series and is designed for use with the T245 soldering iron or handpiece. It is particularly suitable for desoldering work on SMD components.

The tip has a special shape for processing PLCC sockets (44 pins) with a size of 17 × 17 mm. Thanks to the straight alignment, the component can be heated evenly and desoldered in a controlled manner.

The integrated heating of the C245 series ensures efficient heat transfer and stable temperature control during the soldering and desoldering process. The overall length of the tip is 120 mm.

Item no. **WL20751**

Model **C245-247**

Products for the electronic industry



Manufacturer	JBC
Manufacturer article no.	C245247
GPSR manufacturer data	JBC Soldering SL Ramón y Cajal 3 ES-08750 Molins De Rei www.jbctools.com
Length with packaging	110 mm
Width with packaging	12 mm
Height with packaging	12 mm
Sales unit	1 piece
Content unit	1 piece
Incl. battery	no
Product series	C245
Tip series	C245
Incl. integrated heating	yes
Total length of the soldering tip	120 mm
Tip applications	for PLCC socket 44 17 x 17 mm
Tip shape	special form
Tip alignment	straight
Matching handpiece	T245
ESD compliant	no