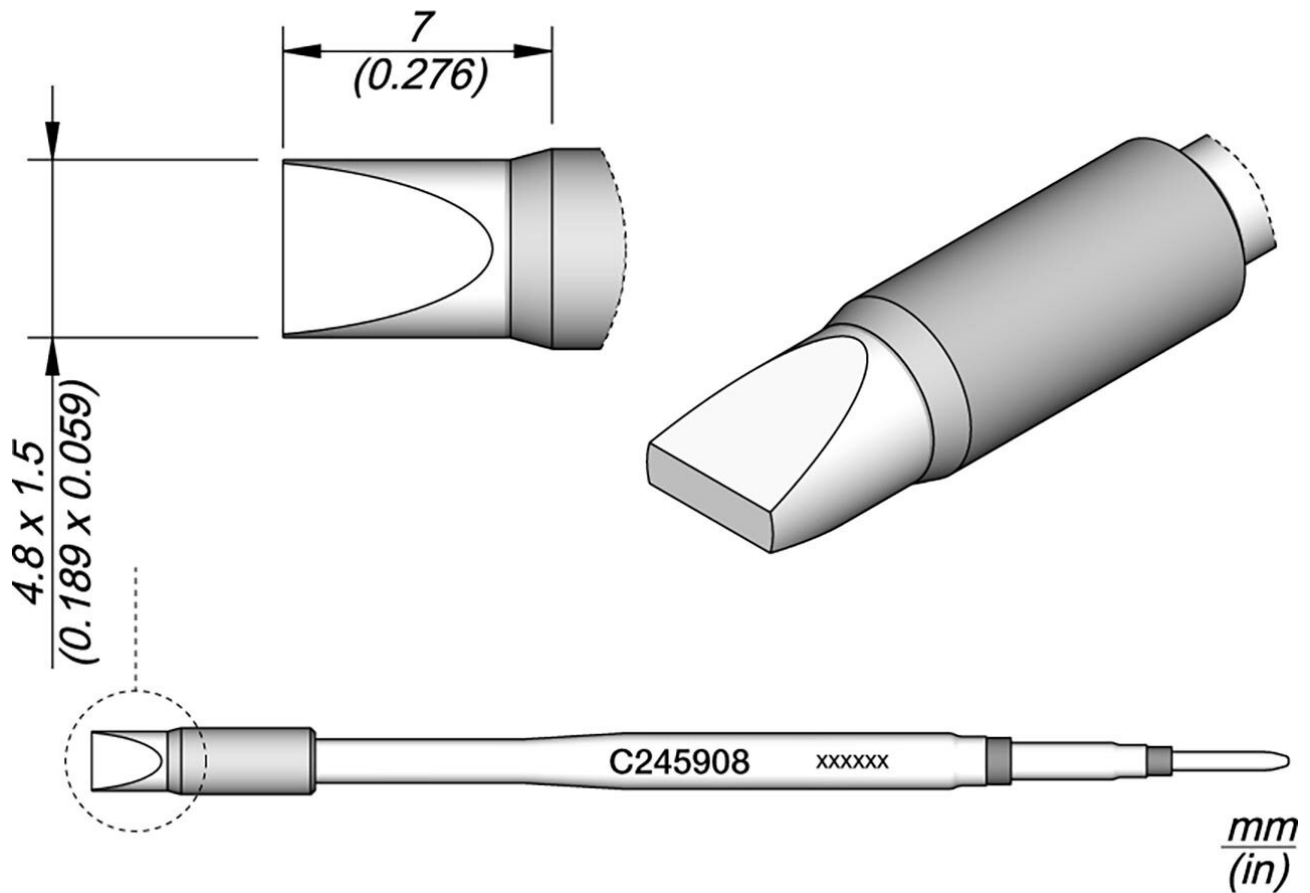


Chisel-shaped soldering tip, 4.8 x 1.5 mm, C245908



Soldering tips series C245 for soldering iron T245 (formerly AD-2245). They are suitable for general soldering purposes. Sleep and sleep mode in the clipboard. High thermal tip, 40% more efficient heat transfer to the tip

Item no.	WL19822
Model	C245-908
Manufacturer	JBC
Manufacturer article no.	C245908
GPSR manufacturer data	JBC Soldering SL Ramón y Cajal 3 ES-08750 Molins De Rei www.jbctools.com
Length with packaging	110 mm

Products for the electronic industry



Width with packaging	12 mm
Height with packaging	12 mm
Sales unit	1 piece
Content unit	1 piece
Incl. battery	no
Product series	C245
Tip series	C245
Incl. integrated heating	yes
Tip dimensions	4,8 x 1,5 mm
Tip length	7 mm
Tip width	4.8 mm
Total length of the soldering tip	100 mm
Tip shape	chisel-shaped
Tip alignment	straight
Matching handpiece	T245
ESD compliant	no