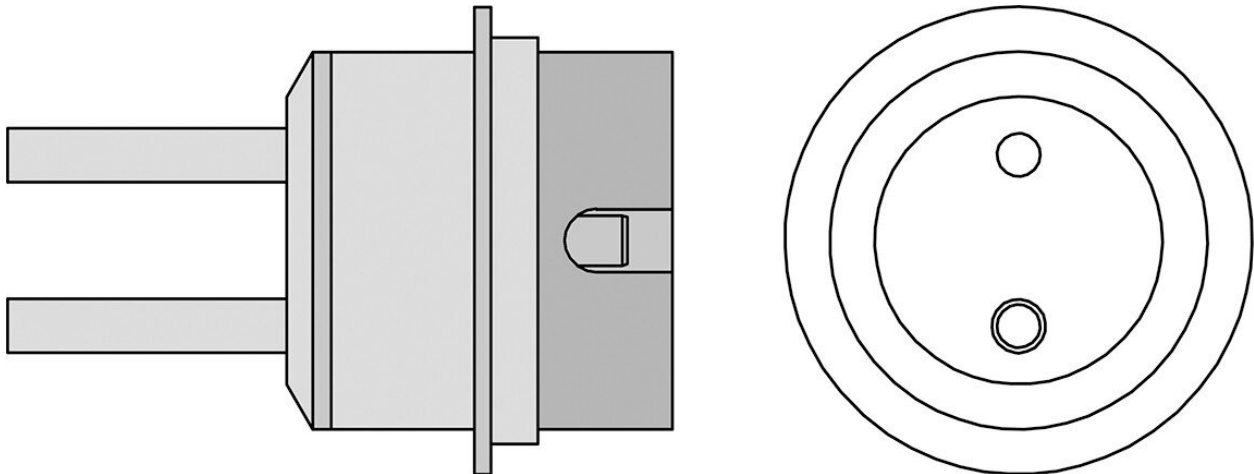


DR05 Hot air dual nozzle, 2 x 2.5 mm, without vacuum



- without vacuum
- Distance nozzle - nozzle = 9.5 mm
- 2x diameter of 2,5 mm

Item no.	WL16667
Model	DR-05
Manufacturer	WELLER
Manufacturer article no.	T0058736883N
GPSR manufacturer data	WELLER Tools GmbH Carl-Benz-Strasse 2 DE-74354 Besigheim www.weller.eu
Sales unit	1 piece
Content unit	1 piece
Product series	DR hot air dual nozzle
Tip shape	round nozzle
Tip alignment	straight
Matching handpiece	HAP 2, HAP 3, HAP 3000