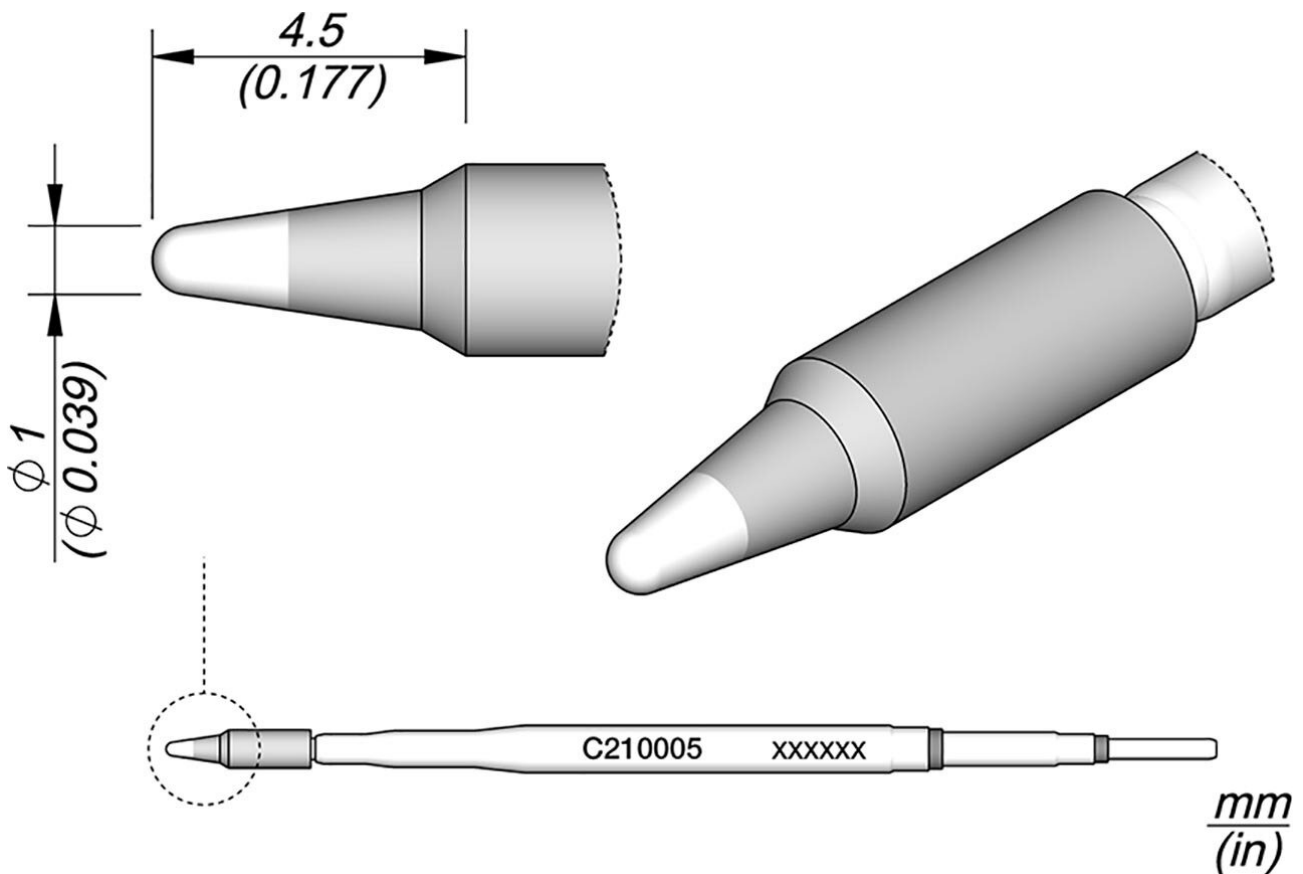


Soldering tip for T210-A / T210-NA, round, straight, C210005



The JBC C210005 soldering tip is a high-quality, conical replacement tip with a diameter of 1 mm, specially developed for the T210-A and T210-NA precision handpieces. This durable JBC C210 soldering tip offers optimum heat transfer, fast heating and excellent heat conduction - ideal for precise soldering on sensitive SMD components or precision mechanical work under a microscope.

Thanks to the proven JBC long-life technology, the C210005 impresses with a service life that is up to five times longer than conventional soldering tips. The robust C210 series is designed for medium performance requirements and is perfect for precise and repeatable soldering processes. It fits not only in the T210 series, but also in the B-100 and B-500 B-IRON handles. The quick availability of the replacement tip makes it the first choice for professional users in the electronics and precision mechanics sector.

Item no.

WL13210

Products for the electronic industry



Model	C210-005
Manufacturer	JBC
Manufacturer article no.	C210005
GPSR manufacturer data	JBC Soldering SL Ramón y Cajal 3 ES-08750 Molins De Rei www.jbctools.com
Length with packaging	110 mm
Width with packaging	12 mm
Height with packaging	12 mm
Sales unit	1 piece
Content unit	1 piece
Incl. battery	no
Product series	C210
Tip series	C210
Incl. integrated heating	yes
Tip length	4.5 mm
Total length of the soldering tip	80 mm
Soldering tip diameter	1 mm
Tip shape	round
Tip alignment	straight
Matching handpiece	T210
Matching accessories	DC-A - Cartridge dispenser case C105C210
ESD compliant	no