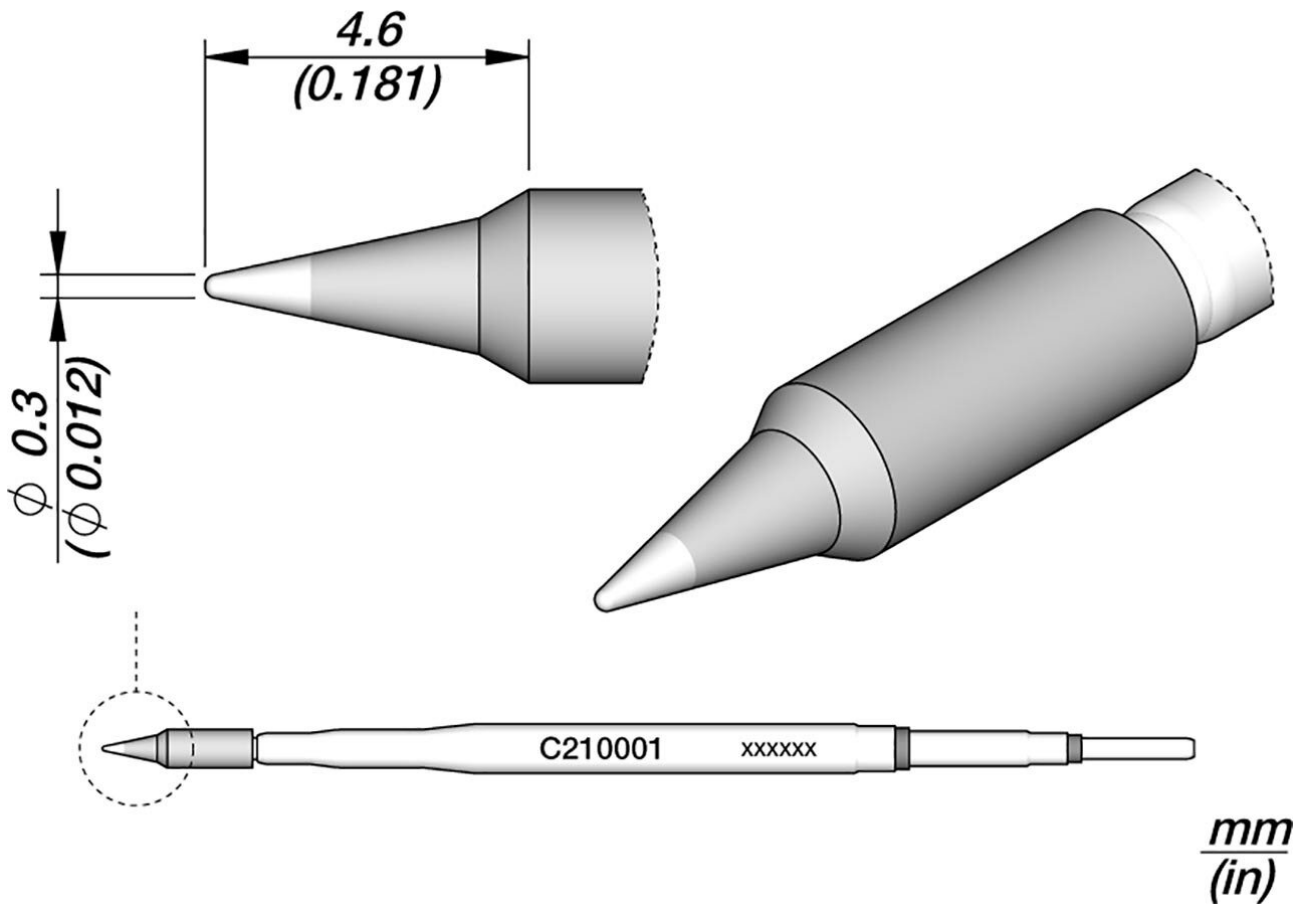


## Soldering tip for T210-A / T210-NA, pointed, straight, C210001



item number	WL13206
model	C210-001
manufacturer	JBC
manufacturer item number	C210001
GPSR manufacturer information	JBC Soldering SL Ramón y Cajal 3 ES-08750 Molins De Rei www.jbctools.com
length with packaging	110 mm
width with packaging	14 mm
height with packaging	14 mm
order unit	1 piece
content unit	1 piece

Products for the electronic industry



product series	C210
Tip series	C210
with integrated heating	yes
tip length	4.6 mm
total length soldering tip	80 mm
soldering tip diameter	0.3 mm
tip shape	pencil-point
tip alignment	straight
suitable soldering iron	T210
suitable handpiece	T210
suitable accessories	DC-A - Cartridge dispenser case C105C210
suitable handle	T210
ESD safe	no