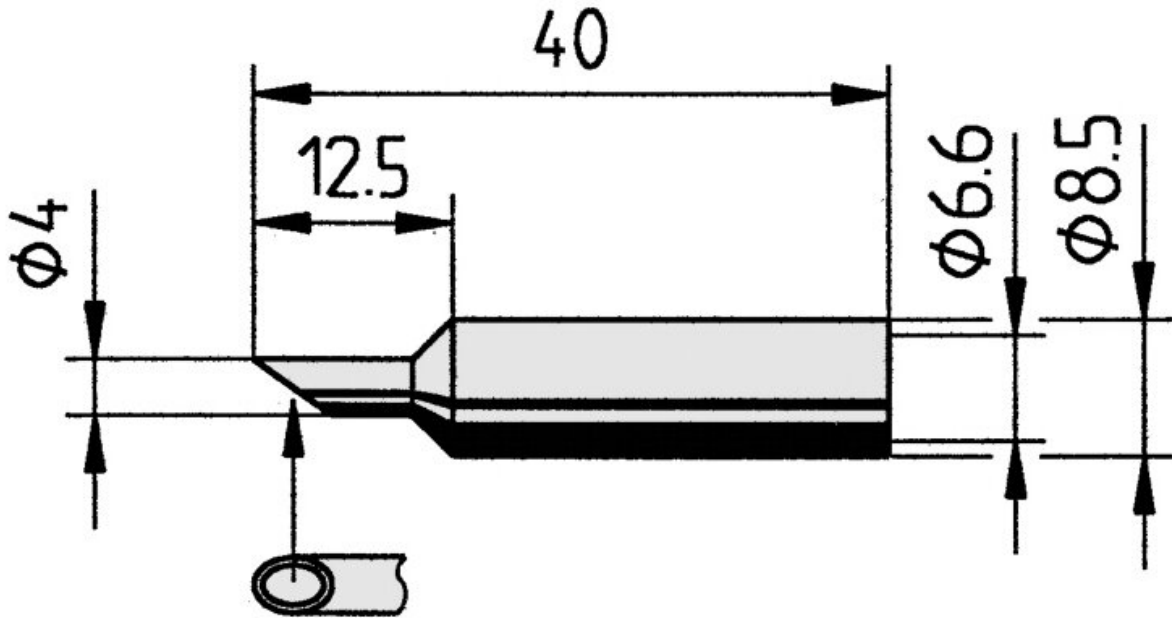


## Soldering tip PowerWell with fillet, straight, 4.0 mm, 0832PW



- Continuous soldering tip, straight, power wave with chamfer, 4.0 mm diameter, with ERSADUR coating for increased tool life.
- suitable for soldering stations ANANLOG60, ANALOG60A, DIGITAL80, DIGITAL80A, DIGITAL2000A, RDS80, MICRO-CON60, TWIN80A, ELS8000/M/D, MS6000 as well as MS8000

item number	WL12224
model	832PW
manufacturer	ERSA
manufacturer item number	0832PW/SB
length	40 mm
length with packaging	90 mm
width with packaging	60 mm
height with packaging	10 mm
order unit	1 piece
content unit	1 piece

Products for the electronic industry



total length	40 mm
product series	832
RoHS conform	yes
Tip series	832
inner diameter shaft	6.6 mm
outer diameter shaft	8.5 mm
soldering tip diameter	4 mm
tip shape	special form
tip alignment	straight
coating soldering tip	permanent soldering tip
suitable handpiece	BASIC TOOL, ERGO TOOL, MULTI-PRO, MULTI-SPRINT, MULTI-TC, POWER-TOOL, PTC 80
suitable handle	Power-Tool, Ergo-Tool, Multi-Pro, Multi-TC, PTC 70 und Multi-Sprint
ESD safe	no