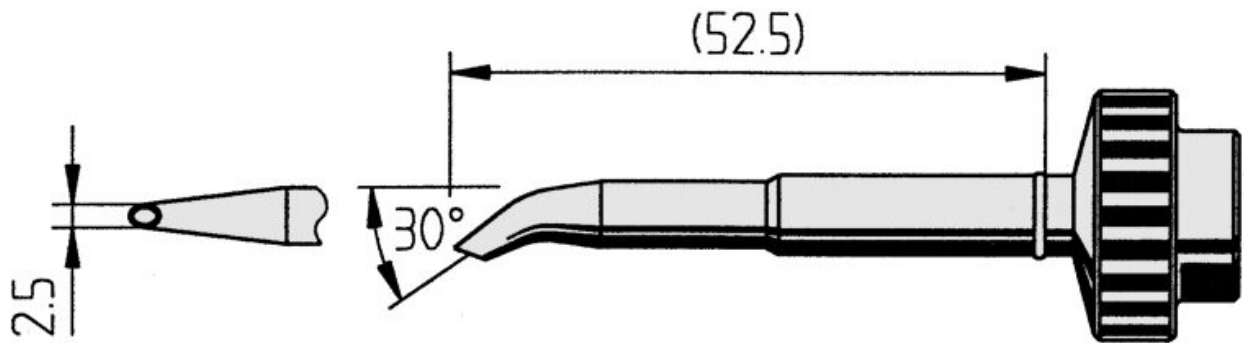


Soldering tip bent, SolderWell with fillet 2.5 mm, 0612HD



- Permanent soldering tip with ERSADUR-LF coating with increased lifetime for the Tech tool soldering iron, the soldering stations DIGITAL 2000 A, DIGITAL 60 A and MICRO-CON 60iA

item number	WL12147
model	612HD
manufacturer	ERSA
manufacturer item number	0612HD/SB
GPSR manufacturer information	ERSA GmbH Leonhard-Karl-Strasse 24 DE-97877 Wertheim www.ersa.de
length	70 mm
length with packaging	140 mm
width with packaging	80 mm
height with packaging	25 mm
order unit	1 piece
content unit	1 piece
total length	70 mm
product series	612
RoHS conform	yes
Tip series	612
soldering tip diameter	2.5 mm

Products for the electronic industry



tip shape	conical
tip alignment	bent
coating soldering tip	permanent soldering tip
suitable handpiece	TECH-TOOL
suitable handle	Tech-Tool
ESD safe	no

